

隔膜泵

MD 12 NT

[网站链接](#)

产品说明

MD 12 NT 隔膜泵是一款非常强劲的泵，用于非腐蚀性气体的无油抽气。它的八泵头的三级结构同时具有大抽气速度和超高极限真空的优点。气路由铝、不锈钢和经仔细挑选的塑料制成，应用范围广。高柔韧性的纤维增强的双层膜片采用氟橡胶（FKM）材质，真空性能好。八泵头的NT系列泵运行安静，表面整洁，易于整理。如同所有的VACUUBRAND的隔膜泵，运行过程中完全不需要油，在气路中也没有滑动部件。在常规操作时完全不会有摩擦，避免了如同涡旋泵或柱塞泵等会产生颗粒杂质的情况。

性能特点

- 无污染的抽气或排气过程
- 抽速大，即使接近极限真空时仍具有很高的抽气速度
- 排气安静
- 减少过程时间
- 超长的膜片寿命，无需维护的驱动系统，整体维护成本低

订购信息

产品名称	额定电源电压 工作频率	电源插头类型	订货号
MD 12 NT	200-230 V 50-60 Hz	CEE	20743000
MD 12 NT	200-230 V 50-60 Hz	CH, CN	20743001
MD 12 NT	200-230 V 50-60 Hz	UK, IN	20743002
MD 12 NT	100-120 V 50-60 Hz	US	20743003

货品配置

泵体安装完毕, 连接即可使用, 消音器, 附带说明书

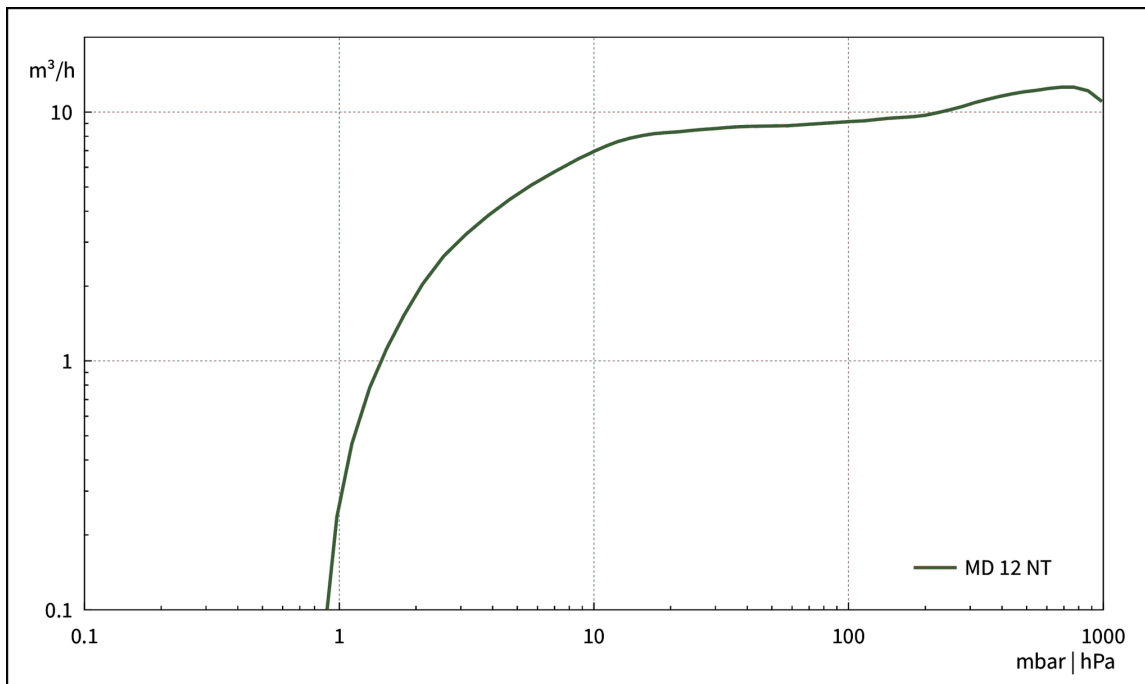
配件

- 小法兰的中心支架 KF DN 20/25 (20660001)
- 小法兰外齐式环形中心支架 KF DN 20/25 (20660196)
- PVC真空管, 内置不锈钢螺线, 带小法兰 KF DN 25 (20686021)
- 带软管喷嘴接头的小法兰 KF DN 25 / DN 10 mm (20662807)
- 橡胶真空管 DN 10 mm (20686002)
- 密封圈套装 MV 10 / MD 12 (20696827)

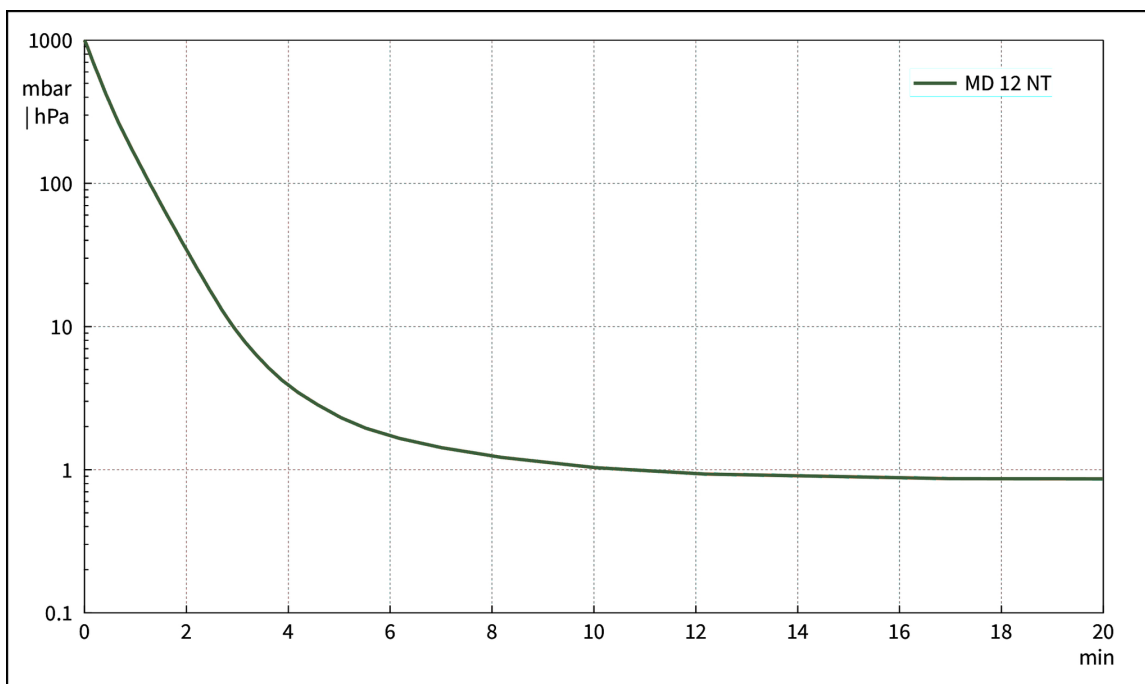
技术指标

50 Hz 最大抽速 (mbar)	12.1 m ³ /h
60 Hz 最大抽速 (cfm)	7.1 cfm
极限真空	2 mbar / 1.5 torr
泵头数	8
泵级数	3
的允许环境温度范围 (运行)	10 - 40 °C
的允许环境温度范围 (存放)	-10 - 60 °C
最大出气口压力 (绝对压力)	1.1 bar
进气口连接	KF DN 25 小法兰
出气口连接	G1/2"
额定电机功率	0.53 kW
额定转速 50/60 Hz	1650 min ⁻¹
防护等级	IP 40
尺寸 (长×宽×高)	554 mm x 260 mm x 359 mm
重量	30.2 kg
噪音水平 50 Hz/1500 Upm/62% (VARIO)/1500 Upm (VARIO-SP)/12500 Upm (VACUU·PURE®)	50 dBA
ATEX规格	II 3/- G Ex h IIC T3 Gc X Internal Atm. only
NRTL 标准	否

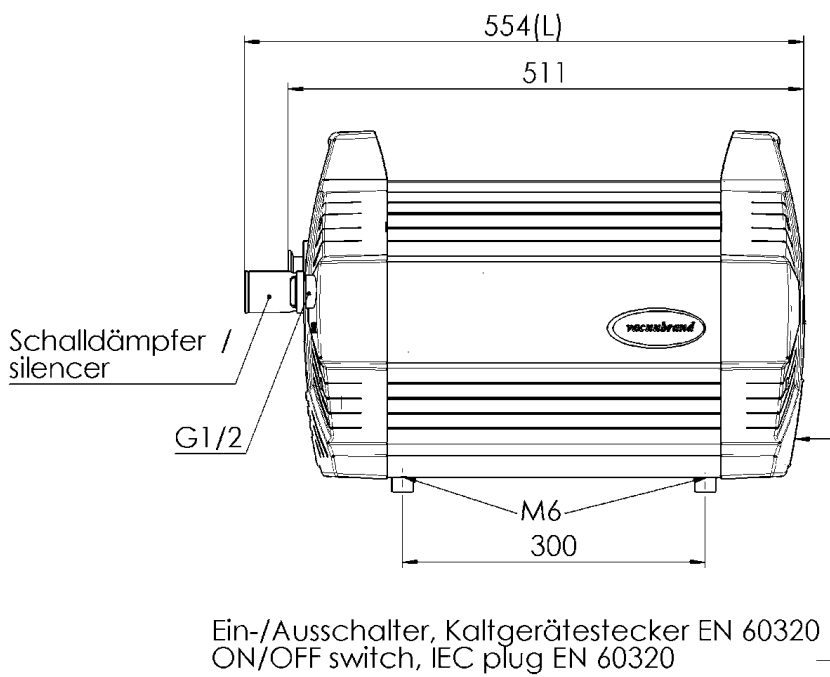
50 Hz下的抽速曲线



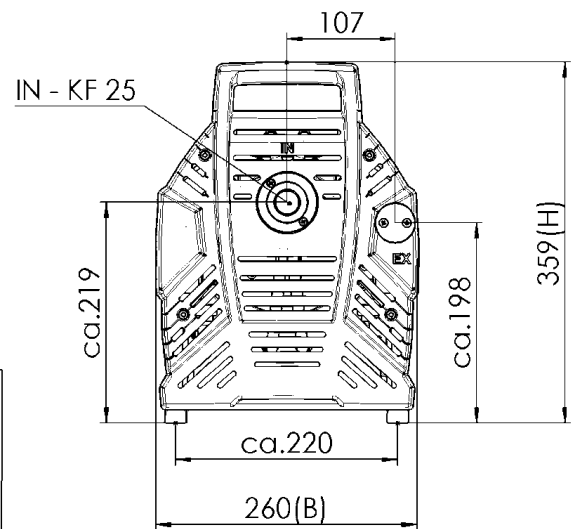
50 Hz下的抽气曲线 (100升容积)



尺寸规格表



Alle Maße / all dimensions (mm)



VACUUBRAND ME16 MD12 MV10 NT
Version 2014/06/18

VACUUBRAND GMBH + CO KG
P.O. Box 1664
97877 Wertheim
T +49 9342 808 5550
F +49 9342 808 5555

info@vacuubrand.com
www.vacuubrand.com

VACUUBRAND®

VACUUBRAND is part of the Brand group, a manufacturer of high-quality and innovative laboratory equipment and vacuum technology with a global team of approx. 1,000 employees.

With highly motivated and qualified employees, we manufacture the world's most comprehensive product family for vacuum generation, measurement and control for the rough and fine vacuum range in the laboratory.

All with one goal:

Enabling our customers to run reliable, safe and efficient processes. This is why we commit ourselves to continuous innovation, first-class performance, and outstanding quality.

Engineering excellence is central to our ability to deliver products and solutions renowned for their quality, durability, and reliability. Innovative technology, high quality materials and extensive testing deliver unmatched performance - engineered and manufactured in Germany.

Together with you, our experts will find the best solution for your application and provide you with first-class service along the way.

BRAND (Shanghai) Trading Co., Ltd.
Shanghai, China

T +86 21 6422 2318
info@brand.com.cn
china.brand.com.cn

BRAND Scientific Equipment Pvt. Ltd.
Mumbai, India

T +91 22 42957790
customersupport@brand.co.in
www.brand.co.in

BRANDTECH® Scientific, Inc.
Essex, CT. United States of America

T +1 860 767 2562
info@brandtech.com
www.brandtech.com