

MV 10C NT

网站链接



产品说明

专为化学设计的四级隔膜泵是针对腐蚀性气体和蒸汽的一种持续的、无油抽气的优秀解决方案，可以满足最高要求。MV 10C NT 的四级泵结构有八个泵头，同时具有抽气速度大和达0.9mbar的超高极限真空的优点。所有与被抽介质接触的主要部件均由化学防腐的氟材料制造。将广泛验证的PTFE“三明治”夹层结构的膜片增强了其可靠性和延长了其操作寿命。MV 10C NT +EK 增配了带出气口废气冷凝器（EK），有效的溶剂回收系统使其成为更加出色和更加环境友好的系统。进气口的收集瓶为玻璃材质（外覆防护膜）防止颗粒和液滴进入泵内，可作为可选附件。

性能特点

- 卓越的化学耐腐蚀性和蒸汽耐受性
- 即使在极限真空时仍有很高的抽速，使过程时间更短
- 操作安静，振动极低
- 使用气镇仍能达到很好的极限真空
- 高效的溶剂回收系统，使其成为一款环境友好的产品（配EK附件的型号）

订购信息

产品名称	额定电源电压 工作频率	电源插头类型	订货号
MV 10C NT	200-230 V 50-60 Hz	CEE	20744300
MV 10C NT	200-230 V 50-60 Hz	UK, IN	20744302
MV 10C NT	100-120 V 50-60 Hz	US	20744303

货品配置

泵体安装完毕，连接即可使用，附带说明书

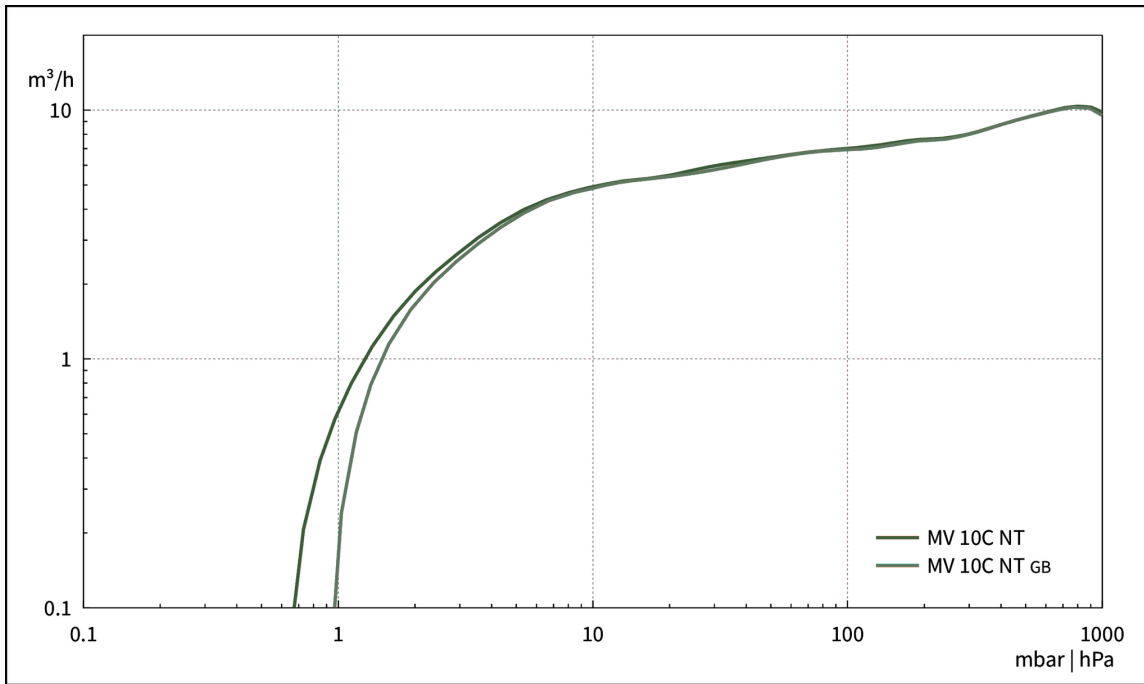
配件

- 进气口收集瓶AK，配500ml圆底烧瓶，KF DN 25 法兰接口和DN 15 mm的喷嘴软管接口 AK 500 / KF DN 25 (20699979)
- DN 8-10mm (20636588)
- 小法兰的中心支架 KF DN 20/25 (20660001)
- 小法兰外齐式环形中心支架 KF DN 20/25 (20660196)
- PVC真空管，内置不锈钢螺线，带小法兰 KF DN 25 (20686021)
- 带软管喷嘴接头的小法兰 KF DN 25 / DN 10 mm (20662807)
- 橡胶真空管 DN 10 mm (20686002)
- 密封圈套装 MD 12C NT / MV 10C NT (20696839)

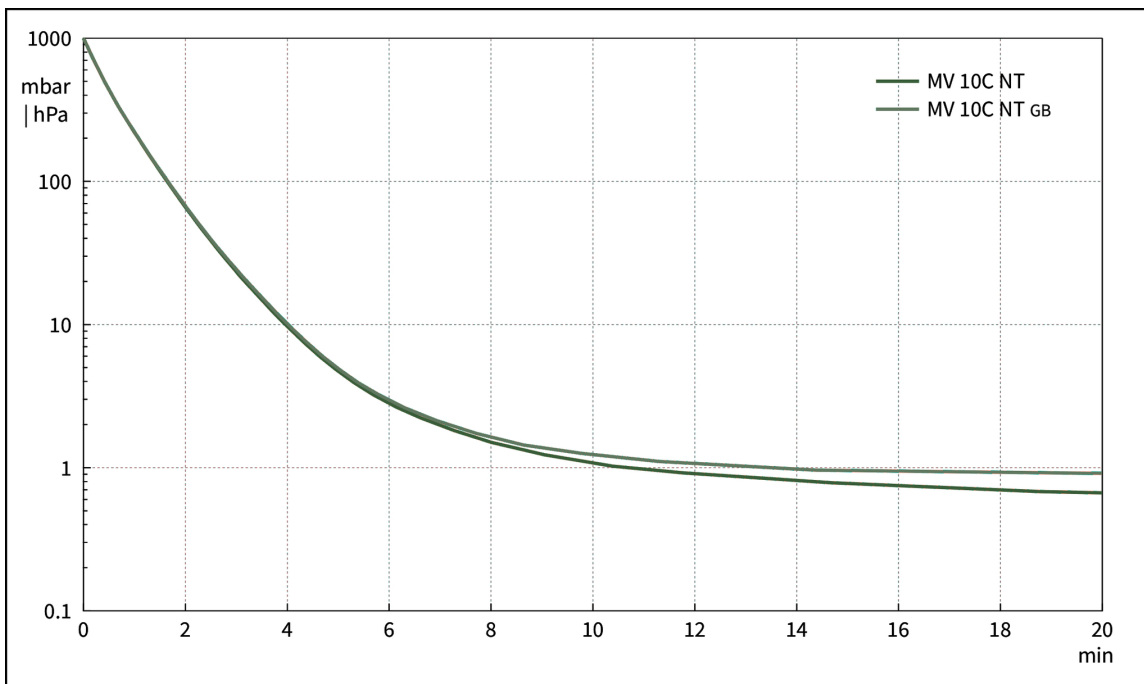
技术指标

50 Hz 最大抽速 (mbar)	9.5 m ³ /h
60 Hz 最大抽速 (cfm)	5.6 cfm
极限真空	0.9 mbar / 0.68 torr
极限真空, 使用气镇	1.5 mbar / 1.1 torr
泵头数	8
泵级数	4
的允许环境温度范围 (运行)	10 - 40 °C
的允许环境温度范围 (存放)	-10 - 60 °C
最大出气口压力 (绝对压力)	1.1 bar
进气口连接	KF DN 25 小法兰
出气口连接	DN 15 mm 软管喷嘴接头
额定电机功率	0.53 kW
额定转速 50/60 Hz	1650 min ⁻¹
防护等级	IP 40
尺寸 (长x宽x高)	533 mm x 260 mm x 359 mm
重量	28.1 kg
噪音水平 50 Hz/1500 Upm/62% (VARIO)/1500 Upm (VARIO-SP)/12500 Upm (VACUU·PURE®)	50 dBA
ATEX规格	II 3/- G Ex h IIC T3 Gc X Internal Atm. only
NRTL 标准	否

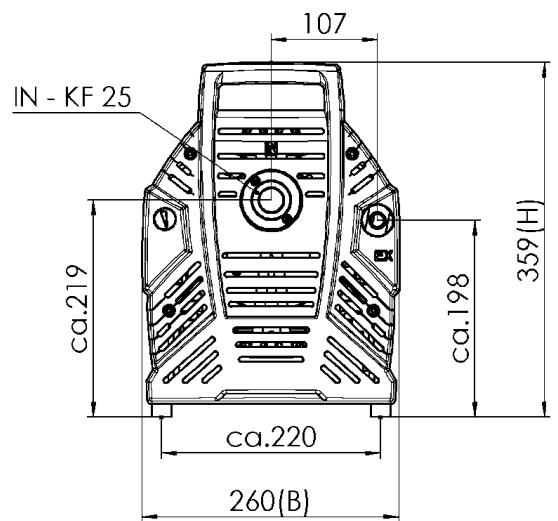
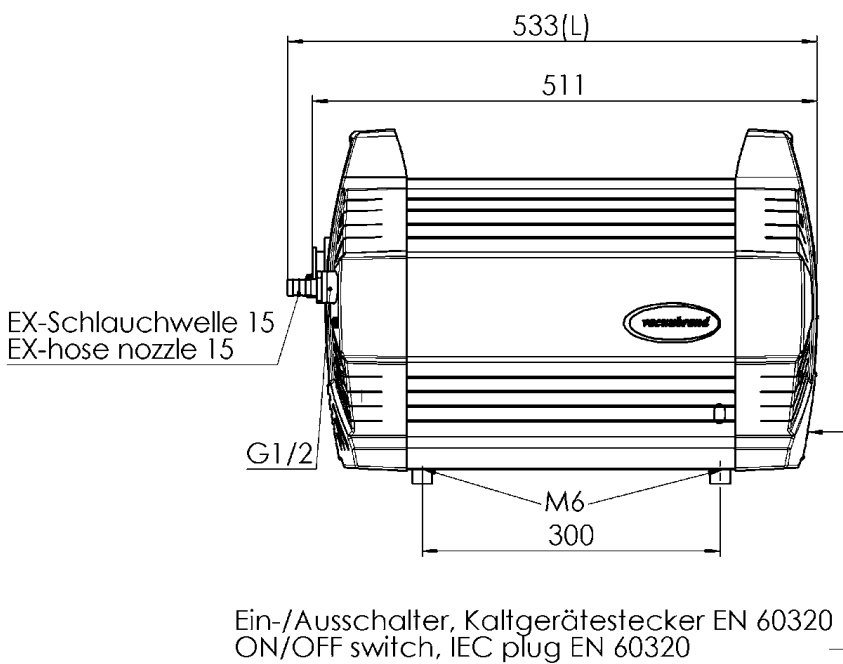
50 Hz下的抽速曲线



50 Hz下的抽气曲线 (100升容积)



尺寸规格表



Alle Maße / all dimensions (mm)

VACUUBRAND ME 16C NT, MD 12C NT, MV 10C NT
Version 2012/04/20

VACUUBRAND GMBH + CO KG
P.O. Box 1664
97877 Wertheim
T +49 9342 808 5550
F +49 9342 808 5555

info@vacuubrand.com
www.vacuubrand.com

VACUUBRAND®

VACUUBRAND is part of the Brand group, a manufacturer of high-quality and innovative laboratory equipment and vacuum technology with a global team of approx. 1,000 employees.

With highly motivated and qualified employees, we manufacture the world's most comprehensive product family for vacuum generation, measurement and control for the rough and fine vacuum range in the laboratory.

All with one goal:

Enabling our customers to run reliable, safe and efficient processes. This is why we commit ourselves to continuous innovation, first-class performance, and outstanding quality.

Engineering excellence is central to our ability to deliver products and solutions renowned for their quality, durability, and reliability. Innovative technology, high quality materials and extensive testing deliver unmatched performance - engineered and manufactured in Germany.

Together with you, our experts will find the best solution for your application and provide you with first-class service along the way.

BRAND (Shanghai) Trading Co., Ltd.
Shanghai, China

T +86 21 6422 2318
info@brand.com.cn
china.brand.com.cn

BRAND Scientific Equipment Pvt. Ltd.
Mumbai, India

T +91 22 42957790
customersupport@brand.co.in
www.brand.co.in

BRANDTECH® Scientific, Inc.
Essex, CT. United States of America

T +1 860 767 2562
info@brandtech.com
www.brandtech.com