

化学隔膜泵 MD 4C NT

网站链接



产品说明

三级化学隔膜泵是针对腐蚀性气体和蒸汽的一种持续的、无油抽气的优秀解决方案，可以满足许多有难度的要求。这种三级结构同时具有大抽气速度和超高极限真空的优点。MD 4C NT的所有与被抽介质接触的部件都是由抗化学腐蚀的氟材料构成。经广泛验证的PTFE“三明治”夹层结构的膜片稳定性更高，延长了操作寿命。MD 4C NT配备有气镇阀时，可用于抽取易冷凝的蒸汽，甚至可用于高沸点的溶剂，这是因为它具有非常好的极限真空（即使使用气镇时）。全新的NT系列进一步增进了性能参数，更易于维修，对蒸汽有更好的耐受性。

性能特点

- 卓越的化学耐腐蚀性和蒸汽耐受性
- 在较高真空度下仍具有非常好的性能
- 使用气镇仍能达到很好的极限真空
- 排气安静，振动极低
- 膜片寿命长，驱动系统免维护

订购信息

产品名称	额定电源电压 工作频率	电源插头类型	订货号
MD 4C NT	230 V 50-60 Hz	CEE	20736400
MD 4C NT	230 V 50-60 Hz	CH	20736401
MD 4C NT	230 V 50-60 Hz	UK, IN	20736402
MD 4C NT	100-115 V 50-60 Hz 120 V 60 Hz	US	20736403
MD 4C NT	230 V 50-60 Hz	CN	20736406

货品配置

泵体安装完毕，连接即可使用，附带说明书

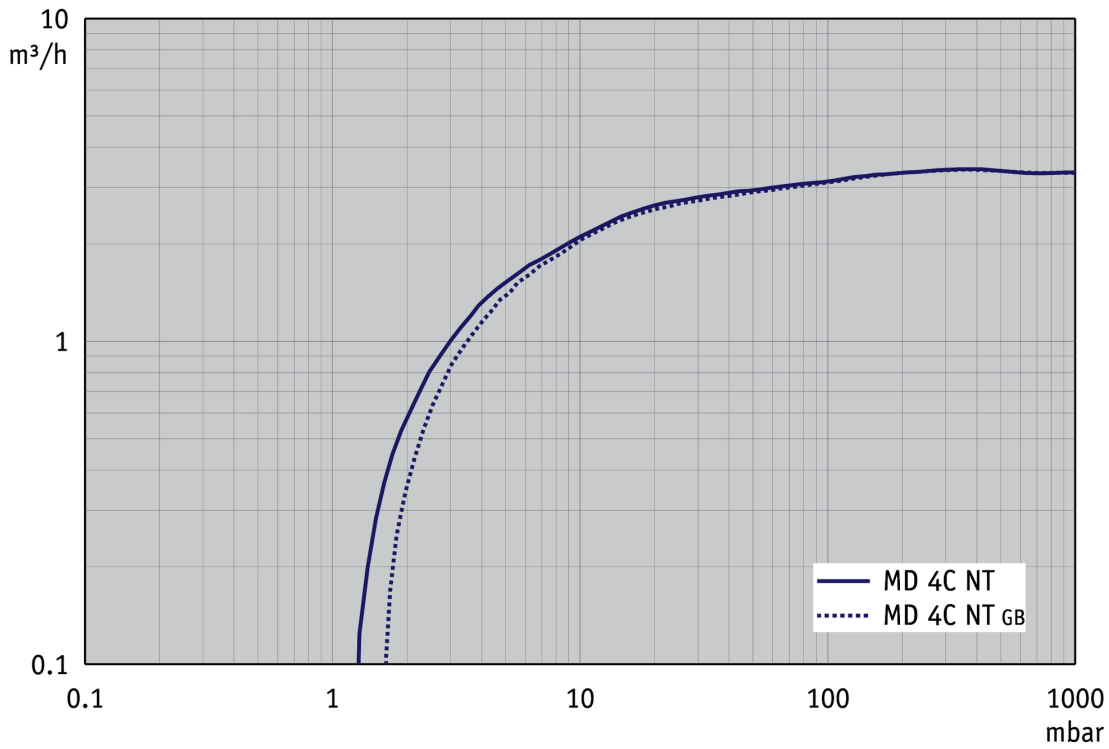
配件

- DN 8-10mm (20636588)
- 透明真空管 DN 8 mm (20686061)
- 密封圈套装 MD 4C NT/VARIO / PC 3003 / PC 3004 (20696870)
- DN 8-10mm (20636588)
- 透明真空管 DN 8 mm (20686061)
- 密封圈套装 MD 4C NT/VARIO / PC 3003 / PC 3004 (20696870)

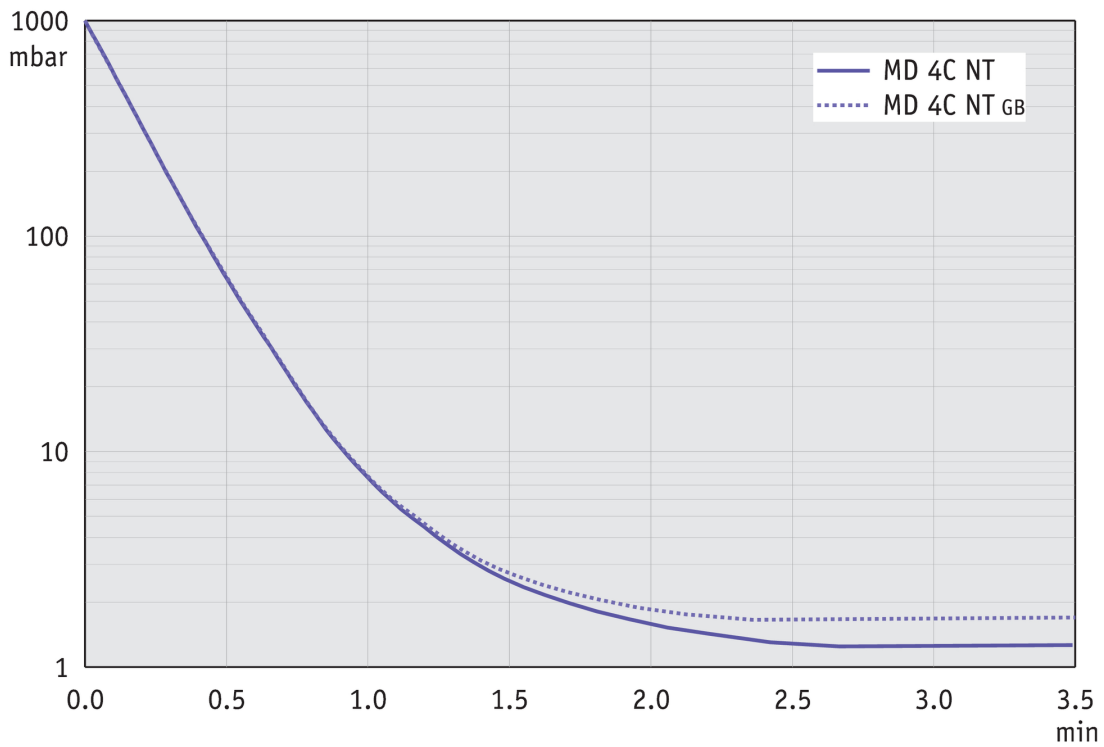
技术指标

50 Hz 最大抽速 (mbar)	3.4 m ³ /h
60 Hz 最大抽速 (cfm)	2.2 cfm
极限真空	1.5 mbar / 1.1 torr
极限真空, 使用气镇	3 mbar / 2.2 torr
泵头数	4
泵级数	3
的允许环境温度范围 (运行)	10 - 40 °C
的允许环境温度范围 (存放)	-10 - 60 °C
最大出气口压力 (绝对压力)	1.1 bar
进气口连接	软管喷嘴接头 DN 8-10 mm
出气口连接	软管喷嘴接头 DN 8-10 mm
额定电机功率	0.25 kW
额定转速 50/60 Hz	1500/1800 min ⁻¹
防护等级	IP 40
尺寸 (长x宽x高)	328 mm x 243 mm x 198 mm
重量	14.3 kg
噪音水平 50 Hz/1500 Upm/62% (VARIO)/1500 Upm (VARIO-SP)/12500 Upm (VACUU·PURE®)	45 dBA
NRTL 标准	是

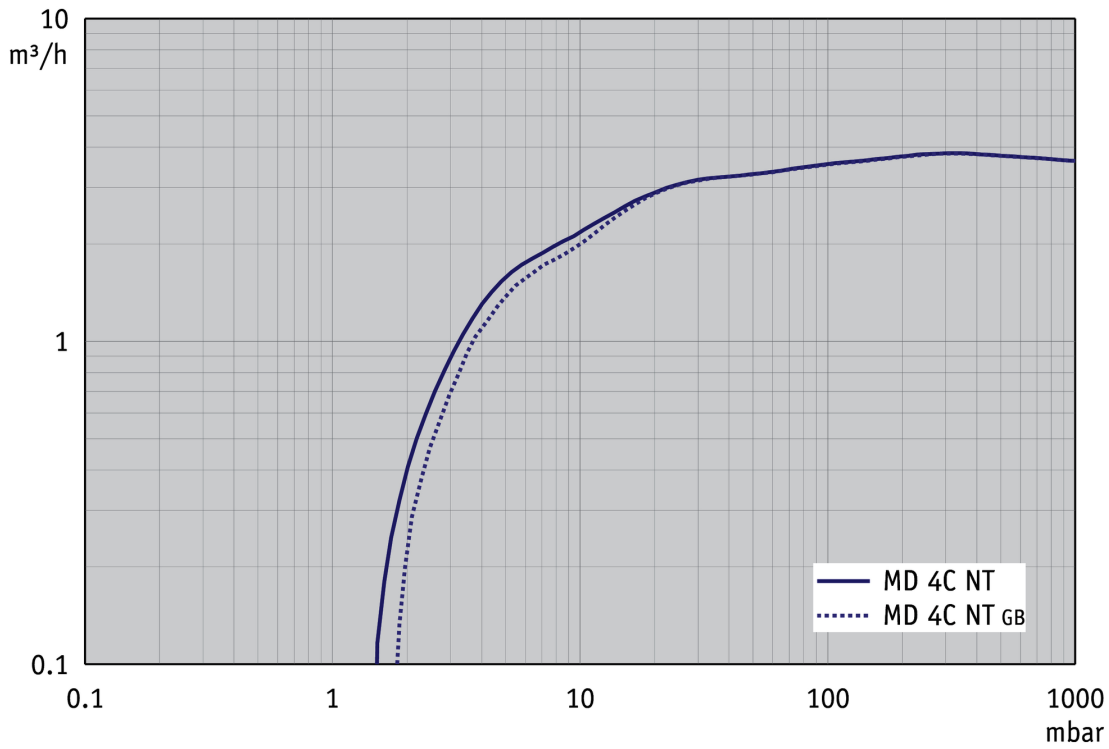
50 Hz下的抽速曲线



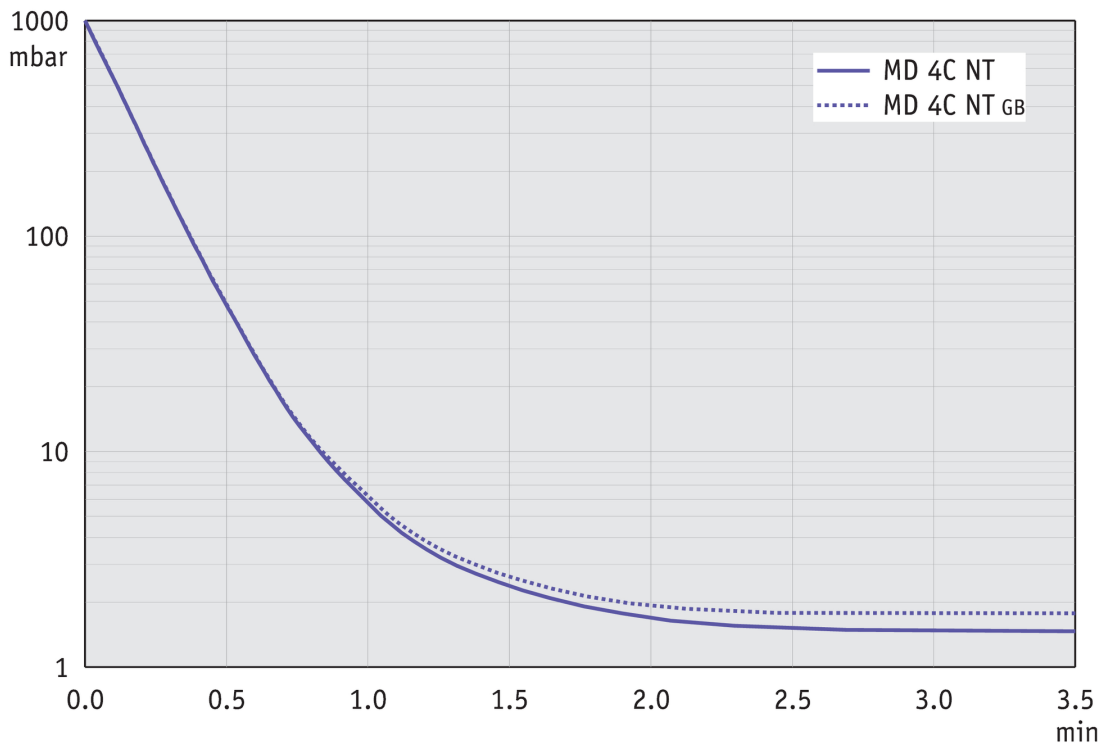
50 Hz下的抽气曲线 (10升容积)



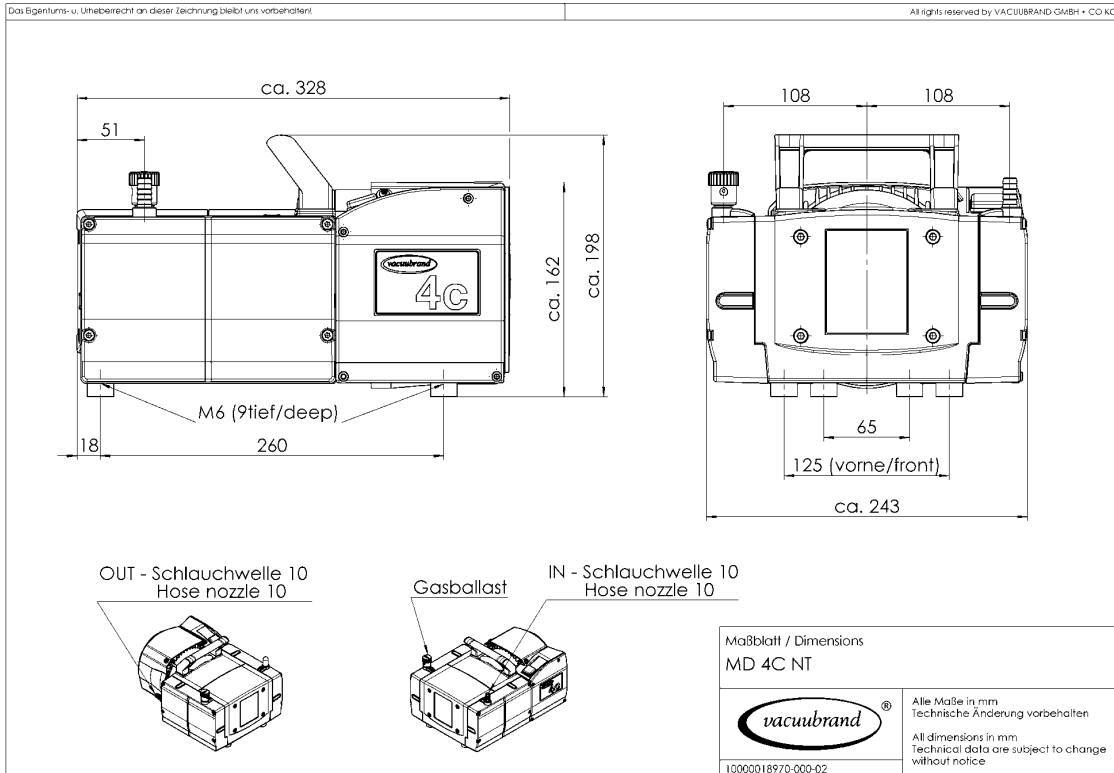
60 Hz下的抽速曲线



60 Hz下的抽气曲线 (10升容积)



尺寸规格表



VACUUBRAND GMBH + CO KG
P.O. Box 1664
97877 Wertheim
T +49 9342 808 5550
F +49 9342 808 5555

info@vacuubrand.com
www.vacuubrand.com

VACUUBRAND®

VACUUBRAND is part of the Brand group, a manufacturer of high-quality and innovative laboratory equipment and vacuum technology with a global team of approx. 1,000 employees.

With highly motivated and qualified employees, we manufacture the world's most comprehensive product family for vacuum generation, measurement and control for the rough and fine vacuum range in the laboratory.

All with one goal:

Enabling our customers to run reliable, safe and efficient processes. This is why we commit ourselves to continuous innovation, first-class performance, and outstanding quality.

Engineering excellence is central to our ability to deliver products and solutions renowned for their quality, durability, and reliability. Innovative technology, high quality materials and extensive testing deliver unmatched performance - engineered and manufactured in Germany.

Together with you, our experts will find the best solution for your application and provide you with first-class service along the way.

BRAND (Shanghai) Trading Co., Ltd.
Shanghai, China

T +86 21 6422 2318
info@brand.com.cn
china.brand.com.cn

BRAND Scientific Equipment Pvt. Ltd.
Mumbai, India

T +91 22 42957790
customersupport@brand.co.in
www.brand.co.in

BRANDTECH® Scientific, Inc.
Essex, CT. United States of America

T +1 860 767 2562
info@brandtech.com
www.brandtech.com