

# Diaphragm pump MD 12 NT

[Link to the website](#)



## Product description

The MD 12 NT diaphragm pump is an especially powerful pump for oil-free evacuation and pumping of non aggressive gases. The three-stage design of this eight-cylinder pump provides the advantageous combination of very high pumping speed and excellent ultimate vacuum. The flow path consists of aluminium, stainless steel and carefully selected plastics to permit a wide range of applications. The fabric-reinforced double diaphragms are made of highly flexible FKM for extended operating life and high vacuum performance. Eight-cylinder NT pumps feature quiet operation, with smooth and easy-to-clean surfaces. Like all VACUUBRAND diaphragm pumps they operate absolutely oil-free and do not have any sliding components in the gas path. In normal operation they are completely free of abrasion. This eliminates most of the particulate impurities frequently generated inside of scroll or piston pumps.

## Performance features

- contamination-free pumping and evacuation
- high flow rate even near ultimate vacuum
- whisper quiet
- reduced process times
- exceptionally long diaphragm life and maintenance-free drive system for low lifetime costs

## Ordering data

Product name	Nominal mains voltage   mains frequency	Plug type	Articleno.
MD 12 NT	200-230 V   50-60 Hz	CEE	20743000
MD 12 NT	200-230 V   50-60 Hz	CH, CN	20743001
MD 12 NT	200-230 V   50-60 Hz	UK, IN	20743002
MD 12 NT	100-120 V   50-60 Hz	US	20743003

## Items supplied

Pump completely mounted, ready for use, silencer, with manual.

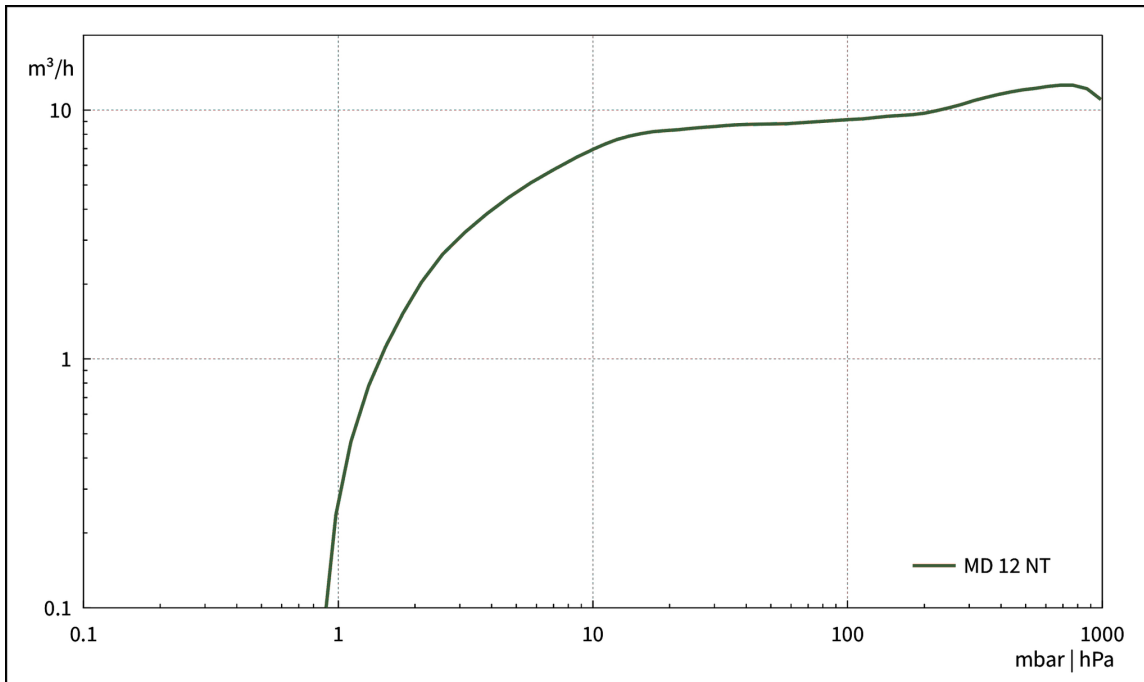
## Accessories

- Clamping ring for small flange KF DN 20/25 (20660001)
- External centring ring for small flange KF DN 20/25 (20660196)
- Vacuum tubing PVC with internal stainless steel spiral, with small flanges KF DN 25 (20686021)
- Small flange with hose nozzle KF DN 25 / DN 10 mm (20662807)
- Rubber vacuum tubing DN 10 mm (20686002)
- Set of diaphragms and valves MV 10 / MD 12 (20696827)

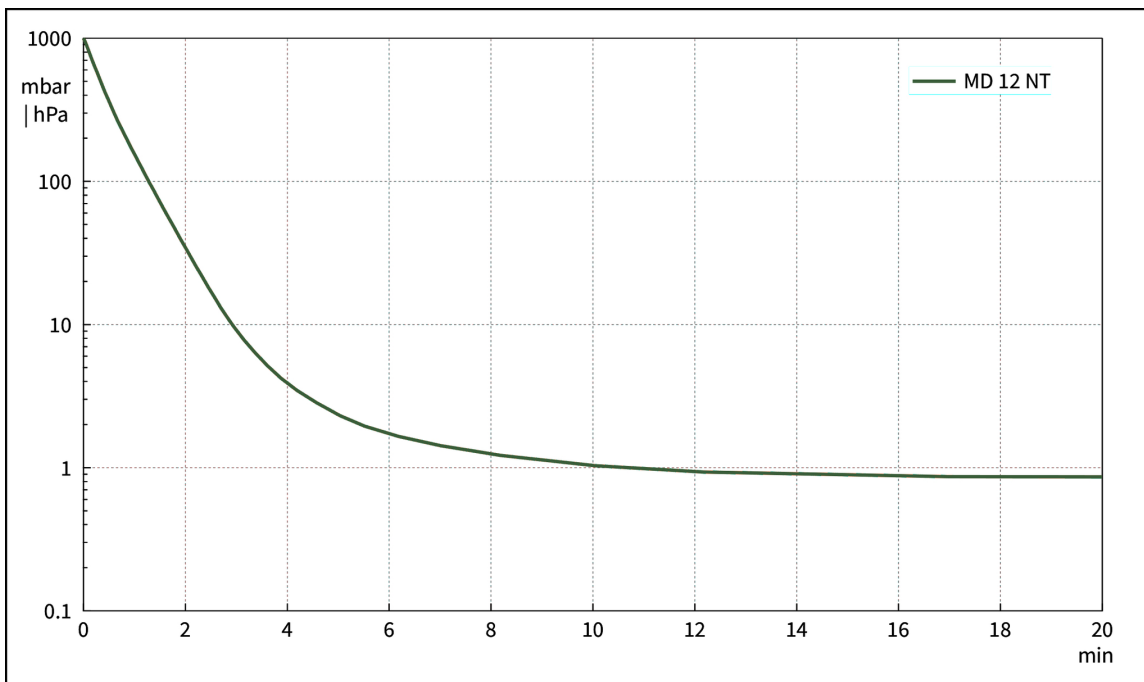
## Technical data

Max. pumping speed 50 Hz (mbar)	12.1 m <sup>3</sup> /h
Max. pumping speed 60 Hz (cfm)	7.1 cfm
Ultimate vacuum	2 mbar / 1.5 torr
Number of heads	8
Number of stages	3
Permissible ambient temperature range (operation)	10 - 40 °C
Permissible ambient temperature range (storage)	-10 - 60 °C
Max. outlet pressure (abs.)	1.1 bar
Inlet connection	small flange KF DN 25
Outlet connection	G1/2"
Rated motor power	0.53 kW
Rated speed 50/60 Hz	1650 min <sup>-1</sup>
Protection class IEC 60529	IP 40
Dimensions (L x W x H)	554 mm x 260 mm x 359 mm
Weight	30.2 kg
Noise (sound pressure level) in dBA at 50 Hz or 1500 rpm/62% (VARIO)/1500 rpm (VARIO-SP)/12500 Upm (VACUU·PURE®)	50 dBA
ATEX conformity	II 3/- G Ex h IIC T3 Gc X Internal Atm. only
NRTL certification	No

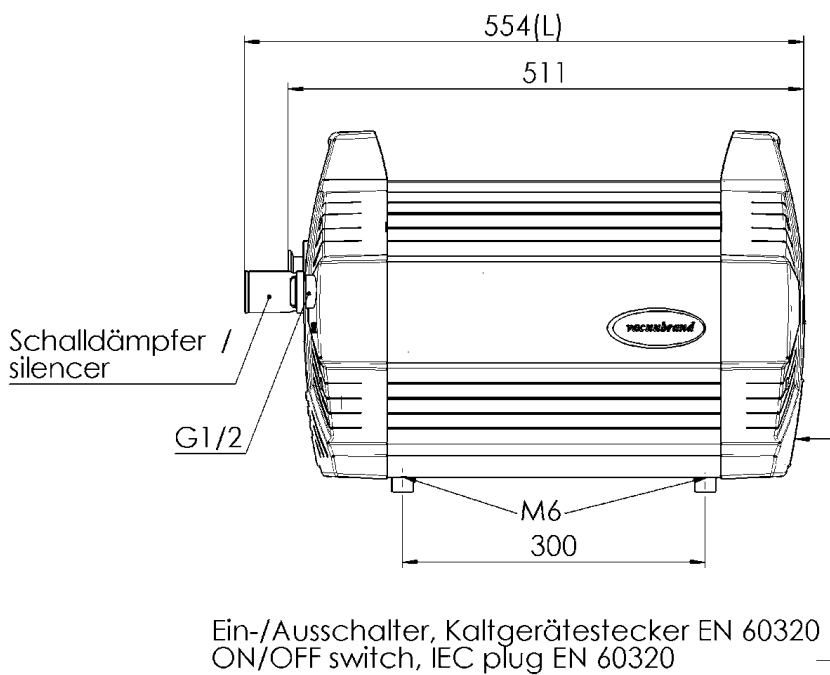
Pumping speed graph at 50 Hz



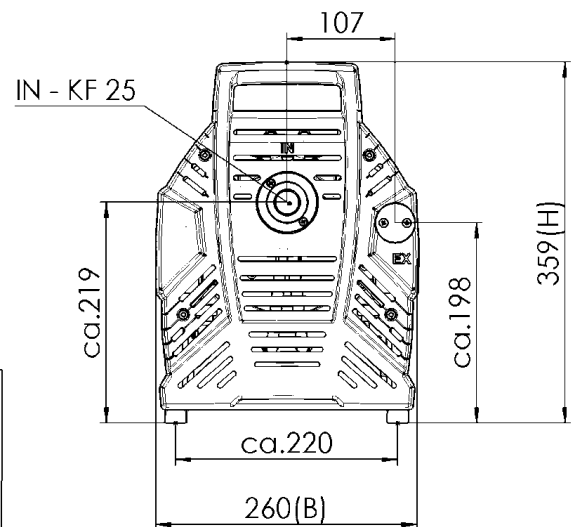
Pump down graph at 50 Hz (100 l volume)



## Dimension sheet



Alle Maße / all dimensions (mm)



VACUUBRAND ME16 MD12 MV10 NT  
Version 2014/06/18

VACUUBRAND GMBH + CO KG  
P.O. Box 1664  
97877 Wertheim  
T +49 9342 808 5550  
F +49 9342 808 5555

info@vacuubrand.com  
www.vacuubrand.com

**VACUUBRAND®**

VACUUBRAND is part of the Brand group, a manufacturer of high-quality and innovative laboratory equipment and vacuum technology with a global team of approx. 1,000 employees.

With highly motivated and qualified employees, we manufacture the world's most comprehensive product family for vacuum generation, measurement and control for the rough and fine vacuum range in the laboratory.

**All with one goal:**

Enabling our customers to run reliable, safe and efficient processes. This is why we commit ourselves to continuous innovation, first-class performance, and outstanding quality.

Engineering excellence is central to our ability to deliver products and solutions renowned for their quality, durability, and reliability. Innovative technology, high quality materials and extensive testing deliver unmatched performance - engineered and manufactured in Germany.

Together with you, our experts will find the best solution for your application and provide you with first-class service along the way.

BRAND (Shanghai) Trading Co., Ltd.  
Shanghai, China

T +86 21 6422 2318  
info@brand.com.cn  
china.brand.com.cn

BRAND Scientific Equipment Pvt. Ltd.  
Mumbai, India

T +91 22 42957790  
customersupport@brand.co.in  
www.brand.co.in

BRANDTECH® Scientific, Inc.  
Essex, CT. United States of America

T +1 860 767 2562  
info@brandtech.com  
www.brandtech.com