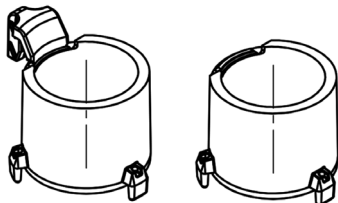
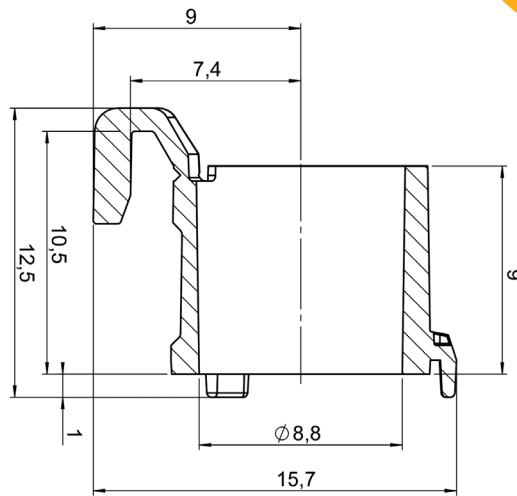
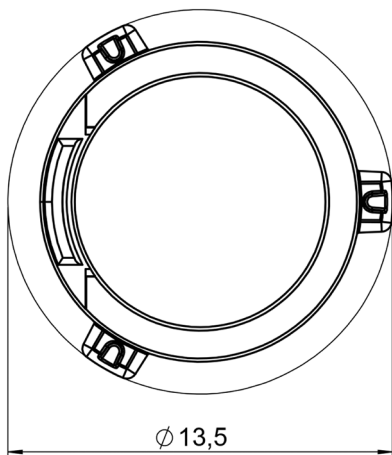


# Cell culture insert for 24-well plates 782700

PRODUCT  
INFORMATION



Dimensions in mm

<b>Volume</b>	50 - 400 $\mu$ l
<b>Material</b>	Polystyrene, medical grade
<b>Quality</b>	BIO-CERT® CELL CULTURE QUALITY



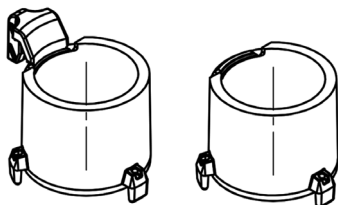
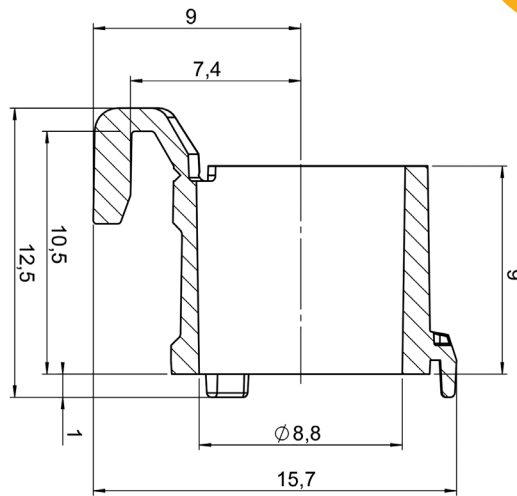
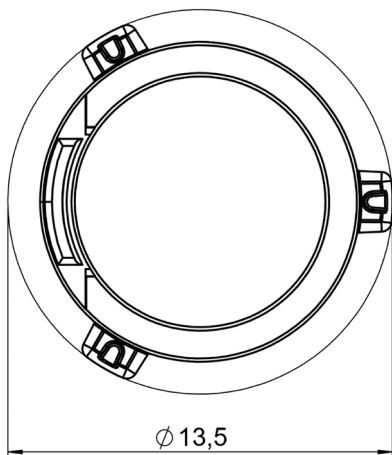
## Membrane properties

<b>Material</b>	Polycarbonate
<b>Thickness</b>	10 $\mu$ m
<b>Pore size</b>	0.4 $\mu$ m
<b>Pore density</b>	$1 \times 10^8$ /cm <sup>2</sup> , translucent
<b>Culture area</b>	ca. 0.6 cm <sup>2</sup>
<b>Surface treatment</b>	cellGrade™ plus

Subject to technical modification without notice. Errors excepted.

# Cell culture insert for 24-well plates 782701

PRODUCT  
INFORMATION



Dimensions in mm

<b>Volume</b>	50 - 400 µl
<b>Material</b>	Polystyrene, medical grade
<b>Quality</b>	BIO-CERT® CELL CULTURE QUALITY



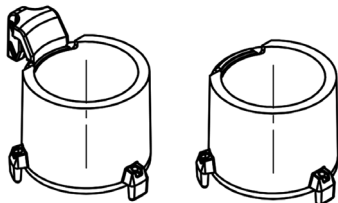
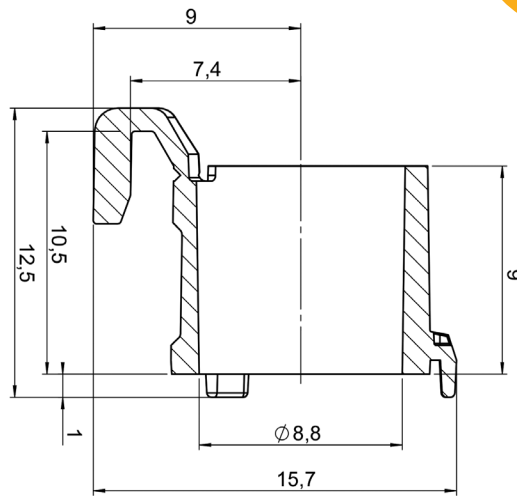
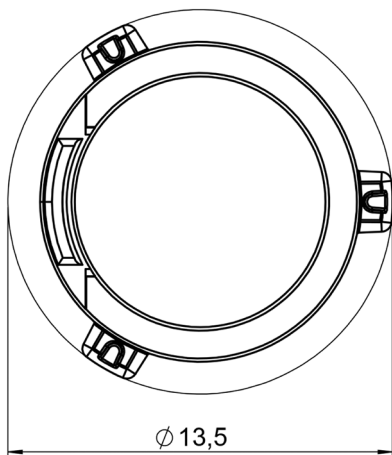
## Membrane properties

<b>Material</b>	Polycarbonate
<b>Thickness</b>	10 µm
<b>Pore size</b>	0.4 µm
<b>Pore density</b>	1 x 10 <sup>8</sup> /cm <sup>2</sup> , translucent
<b>Culture area</b>	ca. 0.6 cm <sup>2</sup>
<b>Surface treatment</b>	cellGrade™ plus

Subject to technical modification without notice. Errors excepted.

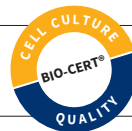
# Cell culture insert for 24-well plates 782706

PRODUCT  
INFORMATION



Dimensions in mm

<b>Volume</b>	50 - 400 µl
<b>Material</b>	Polystyrene, medical grade
<b>Quality</b>	BIO-CERT® CELL CULTURE QUALITY



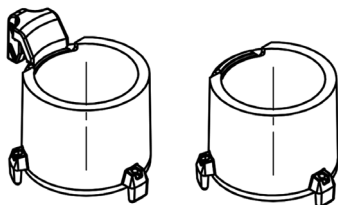
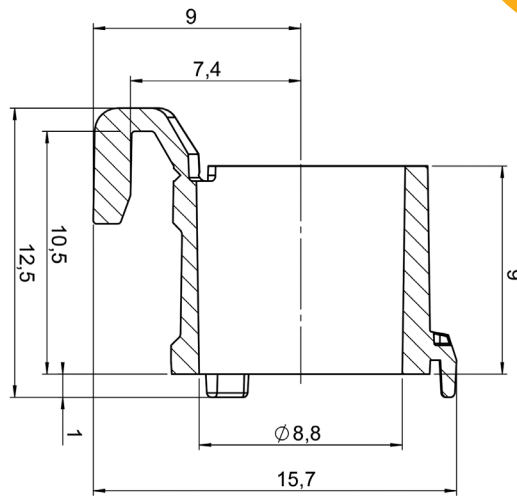
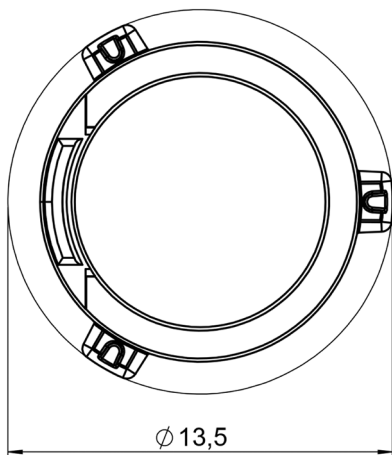
## Membrane properties

<b>Material</b>	Polycarbonate
<b>Thickness</b>	18 µm
<b>Pore size</b>	8.0 µm
<b>Pore density</b>	1 x 10 <sup>5</sup> /cm <sup>2</sup> , translucent
<b>Culture area</b>	ca. 0.6 cm <sup>2</sup>
<b>Surface treatment</b>	cellGrade™ plus

Subject to technical modification without notice. Errors excepted.

# Cell culture insert for 24-well plates 782707

PRODUCT  
INFORMATION



Dimensions in mm

<b>Volume</b>	50 - 400 µl
<b>Material</b>	Polystyrene, medical grade
<b>Quality</b>	BIO-CERT® CELL CULTURE QUALITY



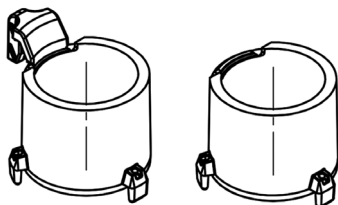
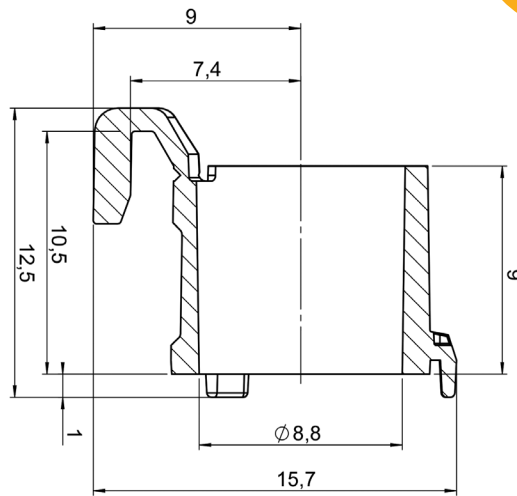
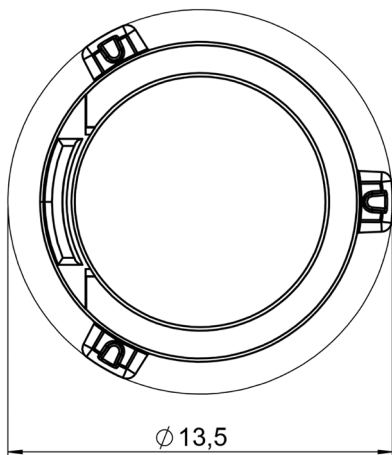
## Membrane properties

<b>Material</b>	Polycarbonate
<b>Thickness</b>	18 µm
<b>Pore size</b>	8.0 µm
<b>Pore density</b>	1 x 10 <sup>5</sup> /cm <sup>2</sup> , translucent
<b>Culture area</b>	ca. 0.6 cm <sup>2</sup>
<b>Surface treatment</b>	cellGrade™ plus

Subject to technical modification without notice. Errors excepted.

# Cell culture insert for 24-well plates 782710

PRODUCT  
INFORMATION



Dimensions in mm

<b>Volume</b>	50 - 400 µl
<b>Material</b>	Polystyrene, medical grade
<b>Quality</b>	BIO-CERT® CELL CULTURE QUALITY



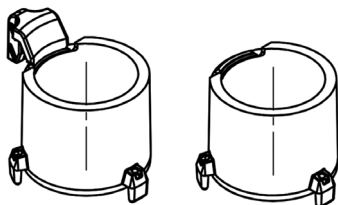
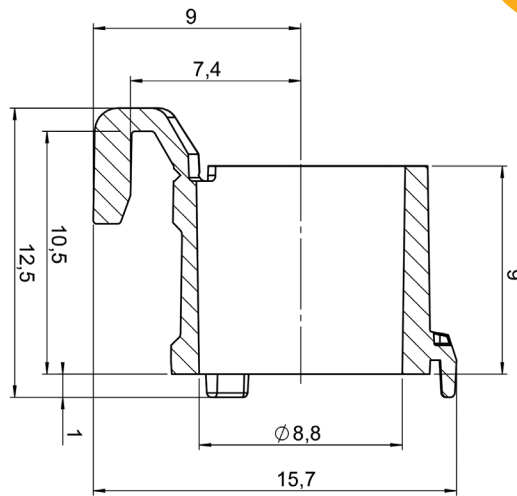
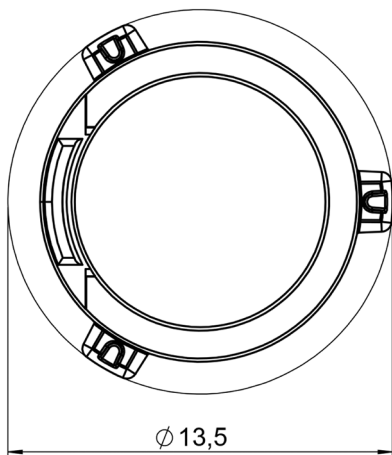
### Membrane properties

<b>Material</b>	Polyethylenterephthalate
<b>Thickness</b>	12 µm
<b>Pore size</b>	0.4 µm
<b>Pore density</b>	2 x 10 <sup>6</sup> /cm <sup>2</sup> , translucent
<b>Culture area</b>	ca. 0.6 cm <sup>2</sup>
<b>Surface treatment</b>	cellGrade™ plus

Subject to technical modification without notice. Errors excepted.

# Cell culture insert for 24-well plates 782711

PRODUCT  
INFORMATION



Dimensions in mm

<b>Volume</b>	50 - 400 µl
<b>Material</b>	Polystyrene, medical grade
<b>Quality</b>	BIO-CERT® CELL CULTURE QUALITY



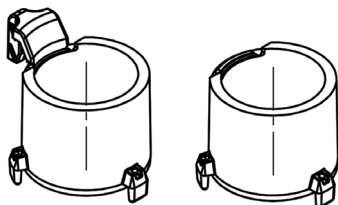
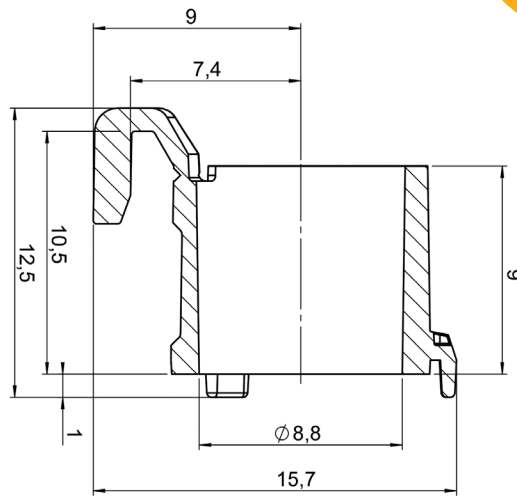
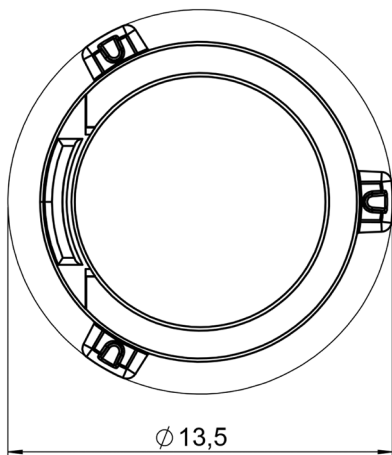
### Membrane properties

<b>Material</b>	Polyethylenterephthalate
<b>Thickness</b>	12 µm
<b>Pore size</b>	0.4 µm
<b>Pore density</b>	2 x 10 <sup>6</sup> /cm <sup>2</sup> , translucent
<b>Culture area</b>	ca. 0.6 cm <sup>2</sup>
<b>Surface treatment</b>	cellGrade™ plus

Subject to technical modification without notice. Errors excepted.

# Cell culture insert for 24-well plates 782712

PRODUCT  
INFORMATION



Dimensions in mm

<b>Volume</b>	50 - 400 µl
<b>Material</b>	Polystyrene, medical grade
<b>Quality</b>	BIO-CERT® CELL CULTURE QUALITY



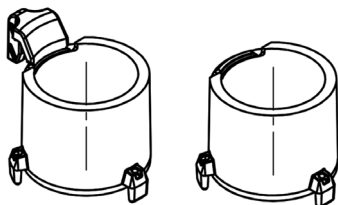
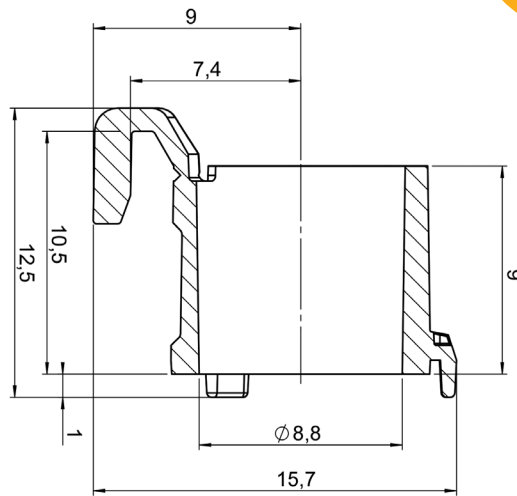
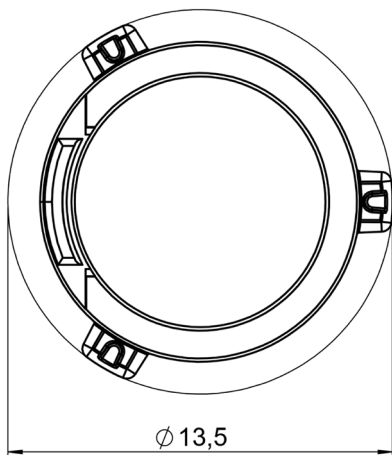
## Membrane properties

<b>Material</b>	Polyethylenterephthalate
<b>Thickness</b>	11 µm
<b>Pore size</b>	1.0 µm
<b>Pore density</b>	1.6 x 10 <sup>6</sup> /cm <sup>2</sup> , translucent
<b>Culture area</b>	ca. 0.6 cm <sup>2</sup>
<b>Surface treatment</b>	cellGrade™ plus

Subject to technical modification without notice. Errors excepted.

# Cell culture insert for 24-well plates 782713

PRODUCT  
INFORMATION



Dimensions in mm

<b>Volume</b>	50 - 400 µl
<b>Material</b>	Polystyrene, medical grade
<b>Quality</b>	BIO-CERT® CELL CULTURE QUALITY



### Membrane properties

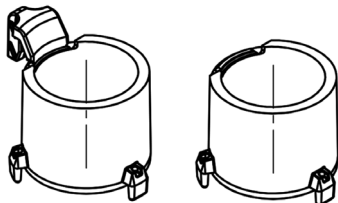
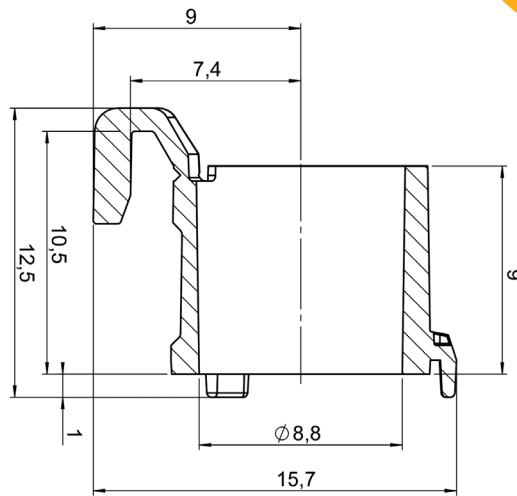
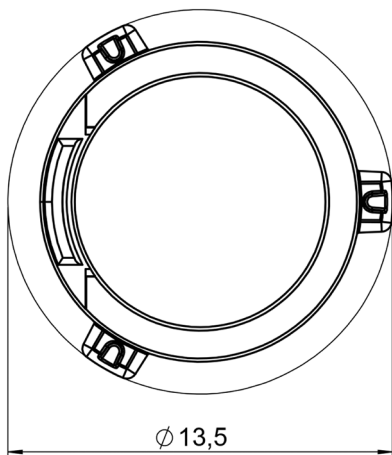
<b>Material</b>	Polyethylenterephthalate
<b>Thickness</b>	11 µm
<b>Pore size</b>	1.0 µm
<b>Pore density</b>	1.6 x 10 <sup>6</sup> /cm <sup>2</sup> , translucent
<b>Culture area</b>	ca. 0.6 cm <sup>2</sup>
<b>Surface treatment</b>	cellGrade™ plus

Subject to technical modification without notice. Errors excepted.



# Cell culture insert for 24-well plates 782714

PRODUCT  
INFORMATION



Dimensions in mm

<b>Volume</b>	50 - 400 µl
<b>Material</b>	Polystyrene, medical grade
<b>Quality</b>	BIO-CERT® CELL CULTURE QUALITY



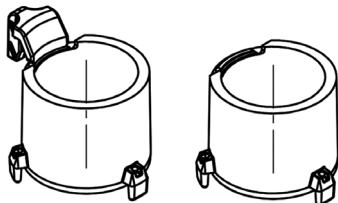
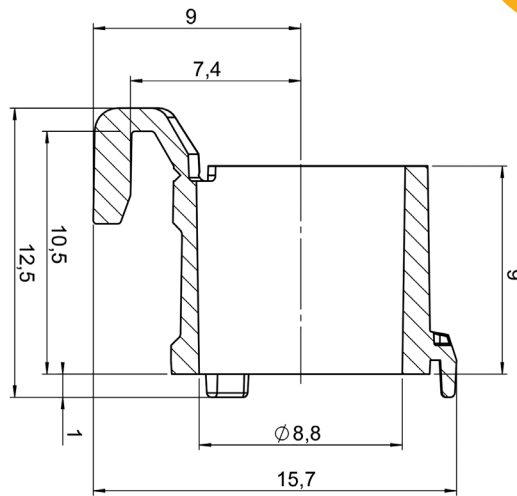
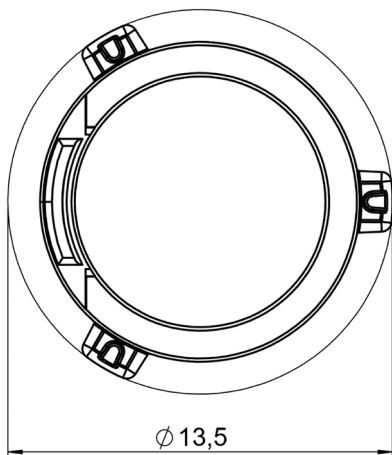
## Membrane properties

<b>Material</b>	Polyethylenterephthalate
<b>Thickness</b>	20 µm
<b>Pore size</b>	3.0 µm
<b>Pore density</b>	1.6 x 10 <sup>6</sup> /cm <sup>2</sup> , translucent
<b>Culture area</b>	ca. 0.6 cm <sup>2</sup>
<b>Surface treatment</b>	cellGrade™ plus

Subject to technical modification without notice. Errors excepted.

# Cell culture insert for 24-well plates 782715

PRODUCT  
INFORMATION



Dimensions in mm

<b>Volume</b>	50 - 400 µl
<b>Material</b>	Polystyrene, medical grade
<b>Quality</b>	BIO-CERT® CELL CULTURE QUALITY



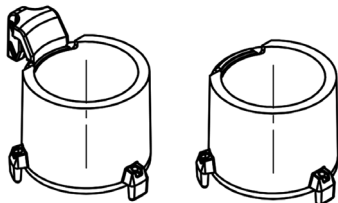
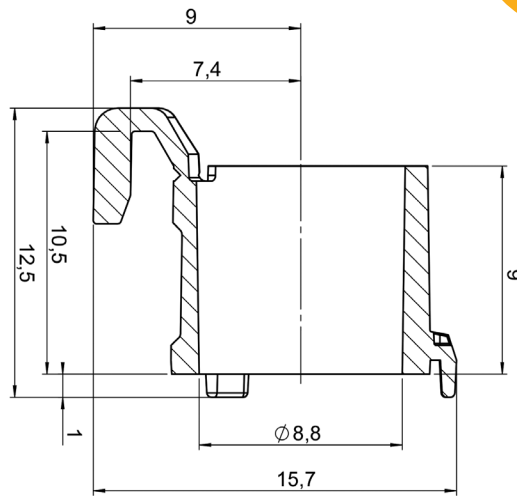
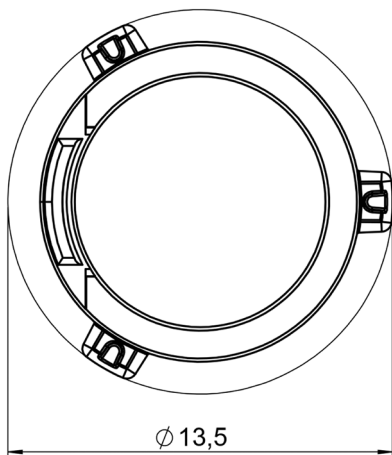
### Membrane properties

<b>Material</b>	Polyethylenterephthalate
<b>Thickness</b>	20 µm
<b>Pore size</b>	3.0 µm
<b>Pore density</b>	1.6 x 10 <sup>6</sup> /cm <sup>2</sup> , translucent
<b>Culture area</b>	ca. 0.6 cm <sup>2</sup>
<b>Surface treatment</b>	cellGrade™ plus

Subject to technical modification without notice. Errors excepted.

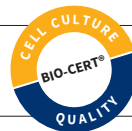
# Cell culture insert for 24-well plates 782716

PRODUCT  
INFORMATION



Dimensions in mm

<b>Volume</b>	50 - 400 µl
<b>Material</b>	Polystyrene, medical grade
<b>Quality</b>	BIO-CERT® CELL CULTURE QUALITY



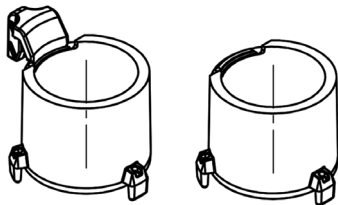
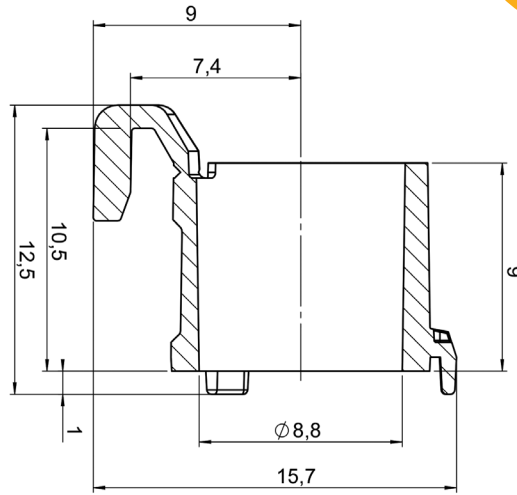
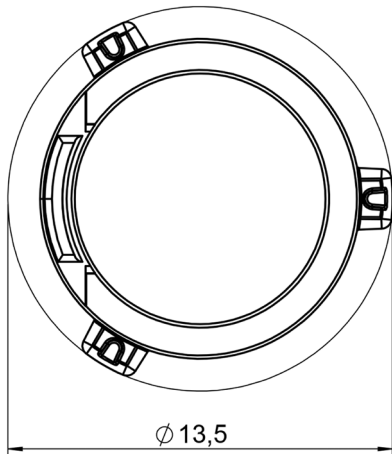
## Membrane properties

<b>Material</b>	Polyethylenterephthalate
<b>Thickness</b>	16 µm
<b>Pore size</b>	8.0 µm
<b>Pore density</b>	2 x 10 <sup>5</sup> /cm <sup>2</sup> , translucent
<b>Culture area</b>	ca. 0.6 cm <sup>2</sup>
<b>Surface treatment</b>	cellGrade™ plus

Subject to technical modification without notice. Errors excepted.

# Cell culture insert for 24-well plates 782717

PRODUCT  
INFORMATION



Dimensions in mm

<b>Volume</b>	50 - 400 µl
<b>Material</b>	Polystyrene, medical grade
<b>Quality</b>	BIO-CERT® CELL CULTURE QUALITY



### Membrane properties

<b>Material</b>	Polyethylenterephthalate
<b>Thickness</b>	16 µm
<b>Pore size</b>	8.0 µm
<b>Pore density</b>	2 x 10 <sup>5</sup> /cm <sup>2</sup> , translucent
<b>Culture area</b>	ca. 0.6 cm <sup>2</sup>
<b>Surface treatment</b>	cellGrade™ plus

Subject to technical modification without notice. Errors excepted.