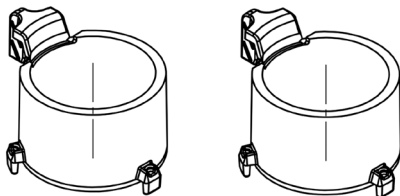
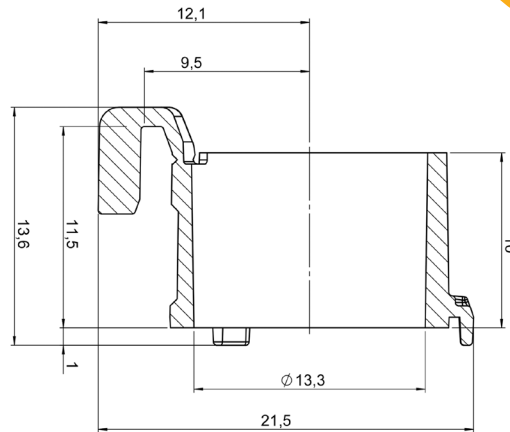
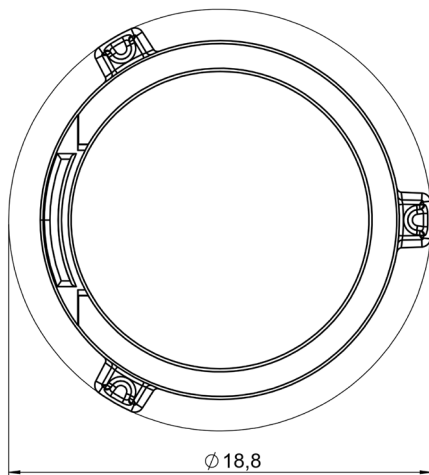


Cell culture insert for 12-well plates

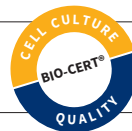
782720

PRODUCT INFORMATION



Dimensions in mm

Volume	150 - 900 µl
Material	Polystyrene, medical grade
Quality	BIO-CERT® CELL CULTURE QUALITY



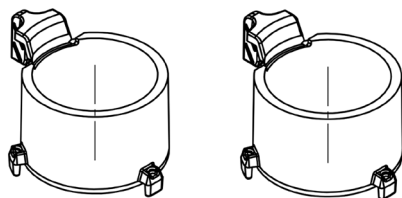
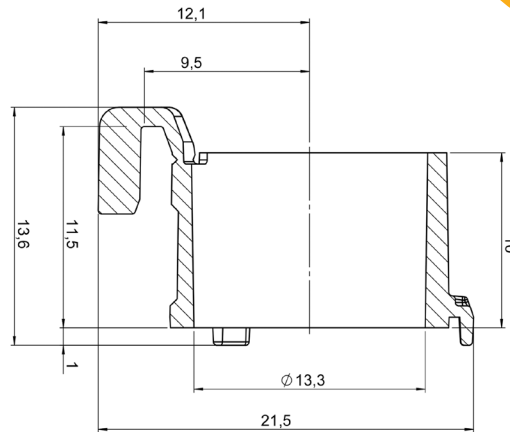
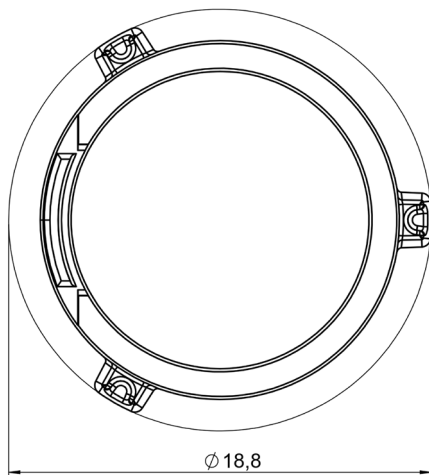
Membrane properties

Material	Polycarbonate
Thickness	10 µm
Pore size	0.4 µm
Pore density	1 x 10 ⁸ /cm ² , translucent
Culture area	ca. 1.3 cm ²
Surface treatment	cellGrade™ plus

Subject to technical modification without notice. Errors excepted.

Cell culture insert for 12-well plates 782721

PRODUCT
INFORMATION



Dimensions in mm

Volume	150 - 900 µl
Material	Polystyrene, medical grade
Quality	BIO-CERT® CELL CULTURE QUALITY



Membrane properties

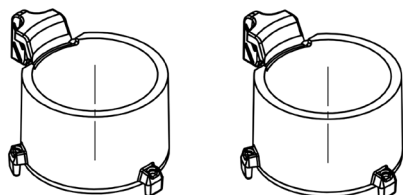
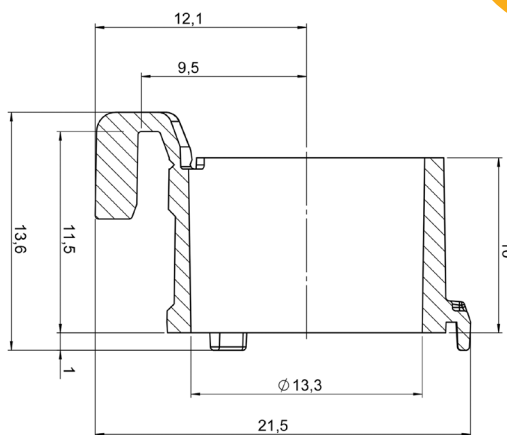
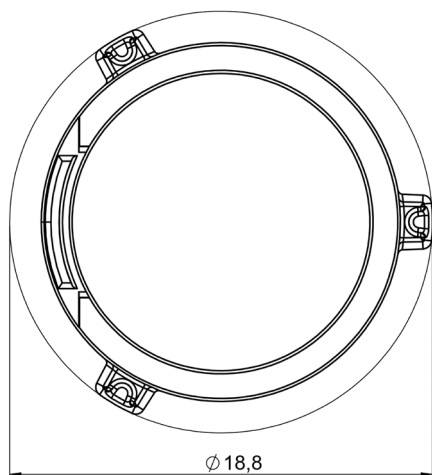
Material	Polycarbonate
Thickness	10 µm
Pore size	0.4 µm
Pore density	1 x 10 ⁸ /cm ² , translucent
Culture area	ca. 1.3 cm ²
Surface treatment	cellGrade™ plus

Subject to technical modification without notice. Errors excepted.

Cell culture insert for 12-well plates

782726

PRODUCT INFORMATION



Dimensions in mm

Volume	150 - 900 µl
Material	Polystyrene, medical grade
Quality	BIO-CERT® CELL CULTURE QUALITY



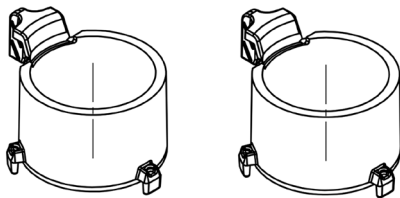
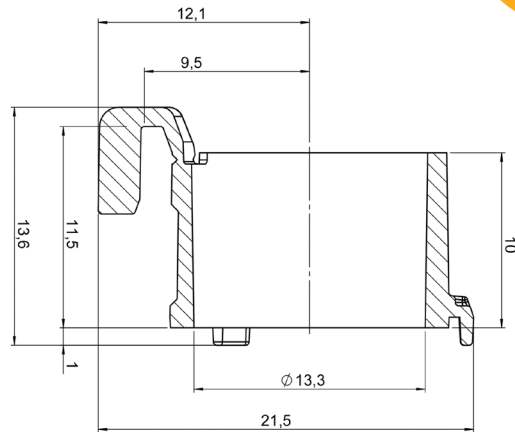
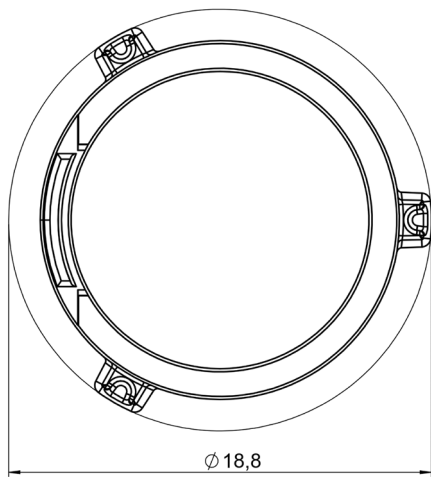
Membrane properties

Material	Polycarbonate
Thickness	18 µm
Pore size	8.0 µm
Pore density	1 x 10 ⁵ /cm ² , translucent
Culture area	ca. 1.3 cm ²
Surface treatment	cellGrade™ plus

Subject to technical modification without notice. Errors excepted.

Cell culture insert for 12-well plates 782727

PRODUCT
INFORMATION



Dimensions in mm

Volume	150 - 900 µl
Material	Polystyrene, medical grade
Quality	BIO-CERT® CELL CULTURE QUALITY



Membrane properties

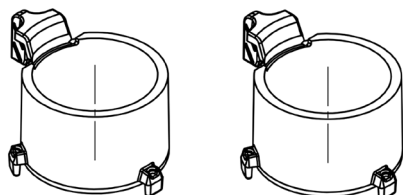
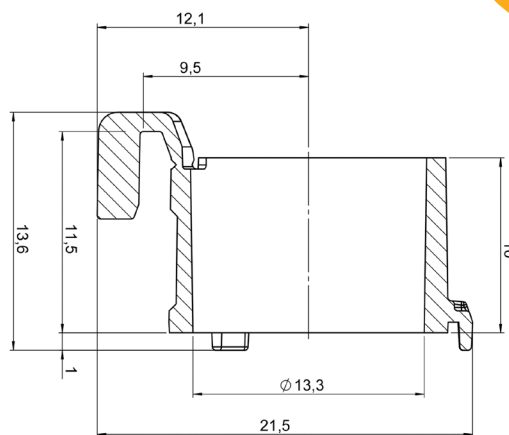
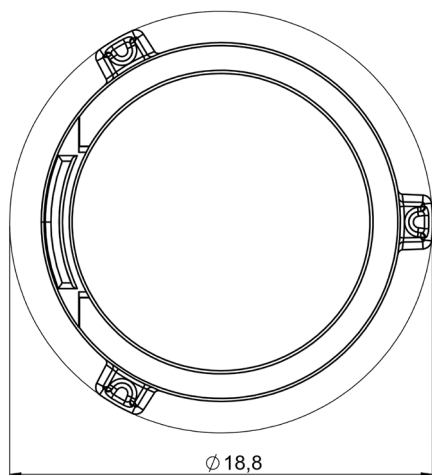
Material	Polycarbonate
Thickness	18 µm
Pore size	8.0 µm
Pore density	1 x 10 ⁵ /cm ² , translucent
Culture area	ca. 1.3 cm ²
Surface treatment	cellGrade™ plus

Subject to technical modification without notice. Errors excepted.

Cell culture insert for 12-well plates

782730

PRODUCT INFORMATION



Dimensions in mm

Volume	150 - 900 µl
Material	Polystyrene, medical grade
Quality	BIO-CERT® CELL CULTURE QUALITY



Membrane properties

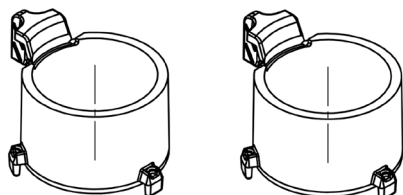
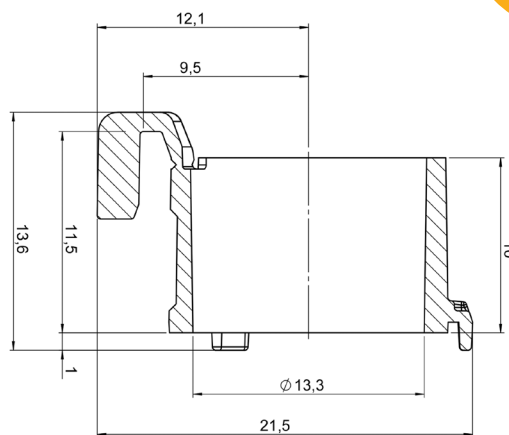
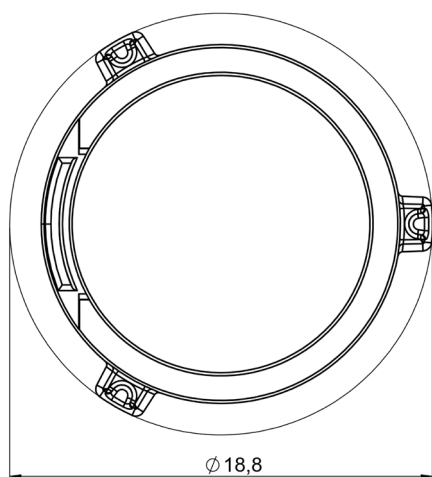
Material	Polyethylenterephthalate
Thickness	12 µm
Pore size	0.4 µm
Pore density	2 x 10 ⁶ /cm ² , translucent
Culture area	ca. 1.3 cm ²
Surface treatment	cellGrade™ plus

Subject to technical modification without notice. Errors excepted.

Cell culture insert for 12-well plates

782731

PRODUCT INFORMATION



Dimensions in mm

Volume	150 - 900 µl
Material	Polystyrene, medical grade
Quality	BIO-CERT® CELL CULTURE QUALITY



Membrane properties

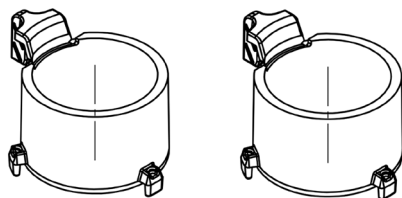
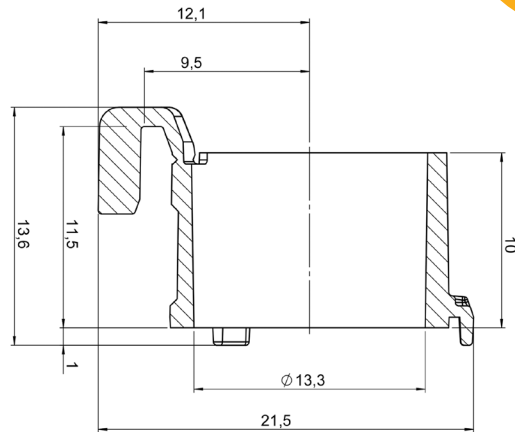
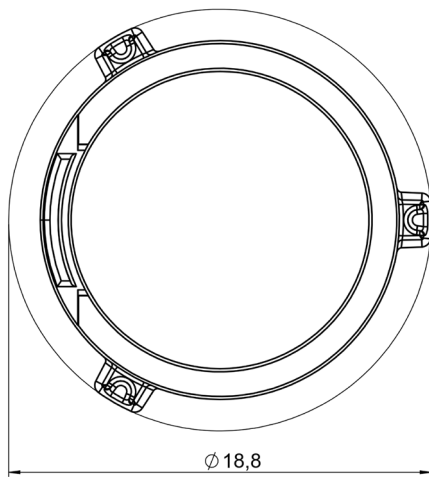
Material	Polyethylenterephthalate
Thickness	12 µm
Pore size	0.4 µm
Pore density	2 x 10 ⁶ /cm ² , translucent
Culture area	ca. 1.3 cm ²
Surface treatment	cellGrade™ plus

Subject to technical modification without notice. Errors excepted.

Cell culture insert for 12-well plates

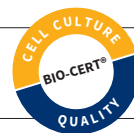
782732

PRODUCT INFORMATION



Dimensions in mm

Volume	150 - 900 µl
Material	Polystyrene, medical grade
Quality	BIO-CERT® CELL CULTURE QUALITY



Membrane properties

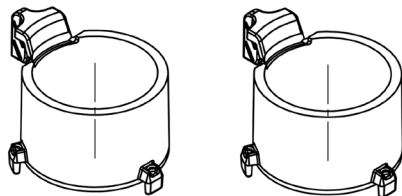
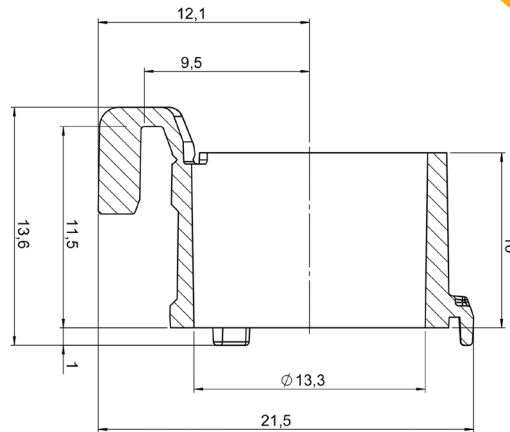
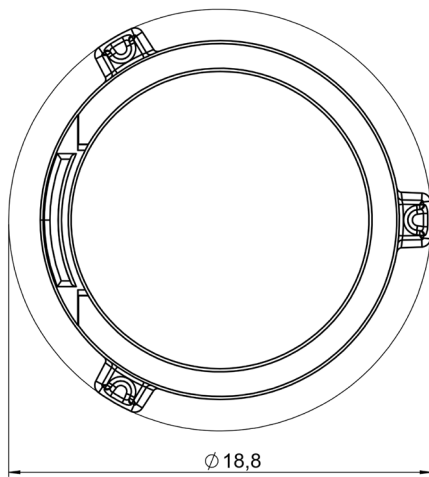
Material	Polyethylenterephthalate
Thickness	11 µm
Pore size	1.0 µm
Pore density	1.6 x 10 ⁶ /cm ² , translucent
Culture area	ca. 1.3 cm ²
Surface treatment	cellGrade™ plus

Subject to technical modification without notice. Errors excepted.

Cell culture insert for 12-well plates

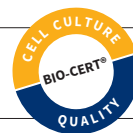
782733

PRODUCT INFORMATION



Dimensions in mm

Volume	150 - 900 µl
Material	Polystyrene, medical grade
Quality	BIO-CERT® CELL CULTURE QUALITY



Membrane properties

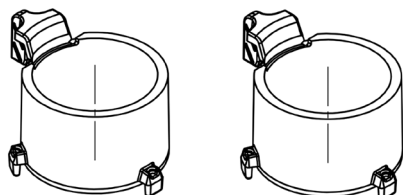
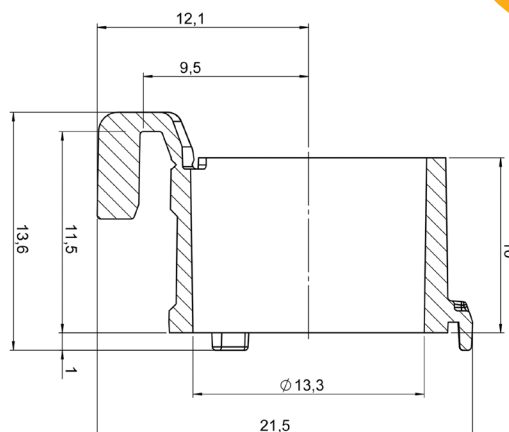
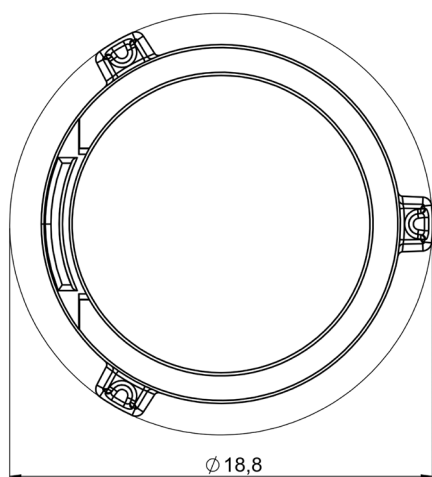
Material	Polyethylenterephthalate
Thickness	11 µm
Pore size	1.0 µm
Pore density	1.6 x 10 ⁶ /cm ² , translucent
Culture area	ca. 1.3 cm ²
Surface treatment	cellGrade™ plus

Subject to technical modification without notice. Errors excepted.

Cell culture insert for 12-well plates

782734

PRODUCT INFORMATION



Dimensions in mm

Volume	150 - 900 µl
Material	Polystyrene, medical grade
Quality	BIO-CERT® CELL CULTURE QUALITY



Membrane properties

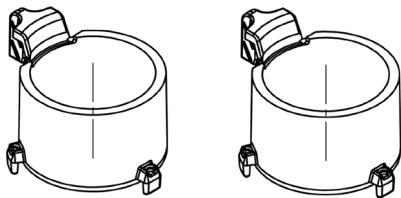
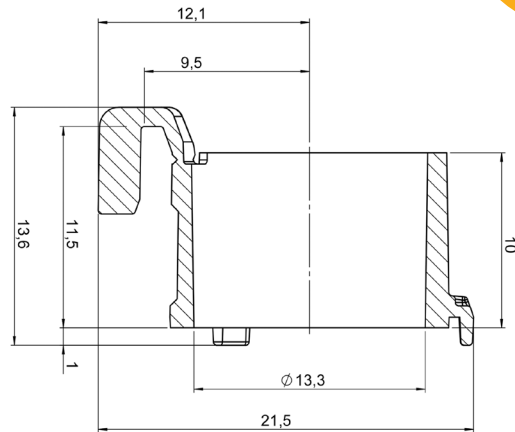
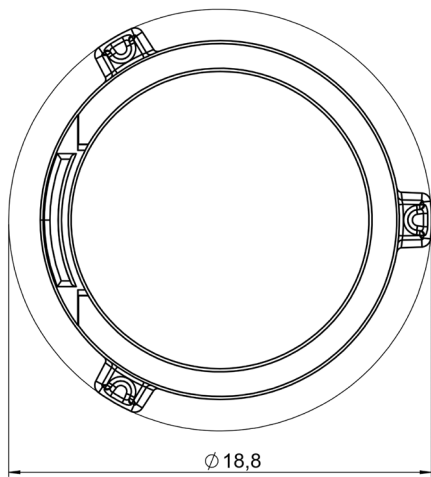
Material	Polyethylenterephthalate
Thickness	20 µm
Pore size	3.0 µm
Pore density	1.6 x 10 ⁶ /cm ² , translucent
Culture area	ca. 1.3 cm ²
Surface treatment	cellGrade™ plus

Subject to technical modification without notice. Errors excepted.

Cell culture insert for 12-well plates

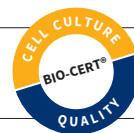
782735

PRODUCT INFORMATION



Dimensions in mm

Volume	150 - 900 µl
Material	Polystyrene, medical grade
Quality	BIO-CERT® CELL CULTURE QUALITY



Membrane properties

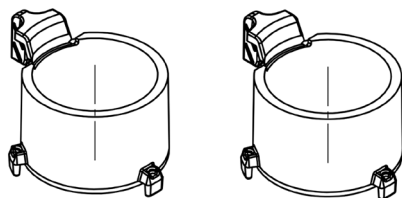
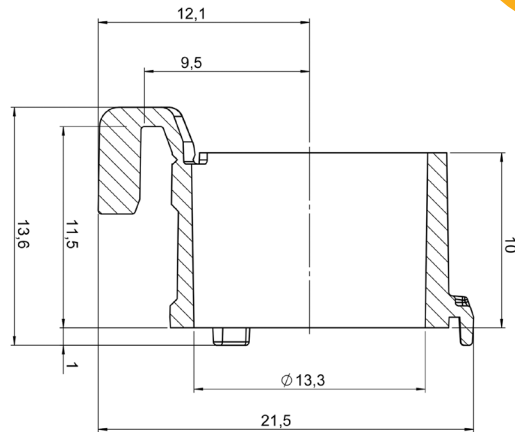
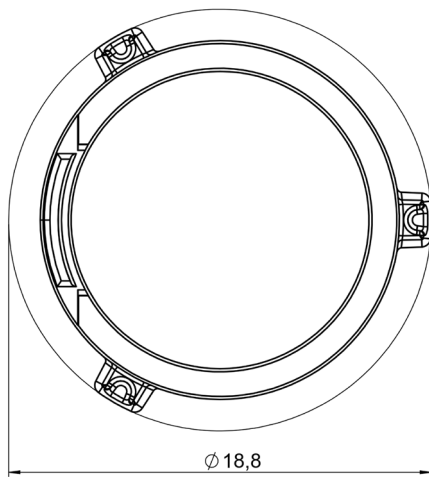
Material	Polyethylenterephthalate
Thickness	20 µm
Pore size	3.0 µm
Pore density	1.6 x 10 ⁶ /cm ² , translucent
Culture area	ca. 1.3 cm ²
Surface treatment	cellGrade™ plus

Subject to technical modification without notice. Errors excepted.

Cell culture insert for 12-well plates

782736

PRODUCT INFORMATION



Dimensions in mm

Volume	150 - 900 µl
Material	Polystyrene, medical grade
Quality	BIO-CERT® CELL CULTURE QUALITY



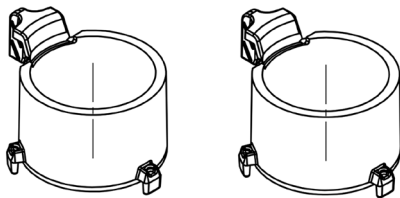
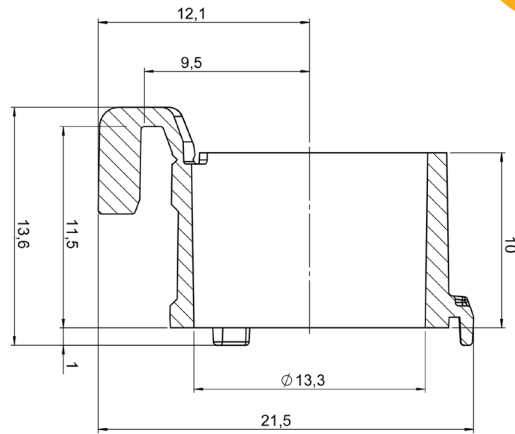
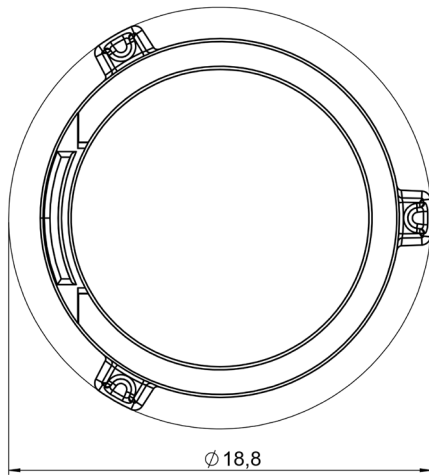
Membrane properties

Material	Polyethylenterephthalate
Thickness	16 µm
Pore size	8.0 µm
Pore density	2 x 10 ⁵ /cm ² , translucent
Culture area	ca. 1.3 cm ²
Surface treatment	cellGrade™ plus

Subject to technical modification without notice. Errors excepted.

Cell culture insert for 12-well plates 782737

PRODUCT
INFORMATION



Dimensions in mm

Volume	150 - 900 µl
Material	Polystyrene, medical grade
Quality	BIO-CERT® CELL CULTURE QUALITY



Membrane properties

Material	Polyethylenterephthalate
Thickness	16 µm
Pore size	8.0 µm
Pore density	2 x 10 ⁵ /cm ² , translucent
Culture area	ca. 1.3 cm ²
Surface treatment	cellGrade™ plus

Subject to technical modification without notice. Errors excepted.