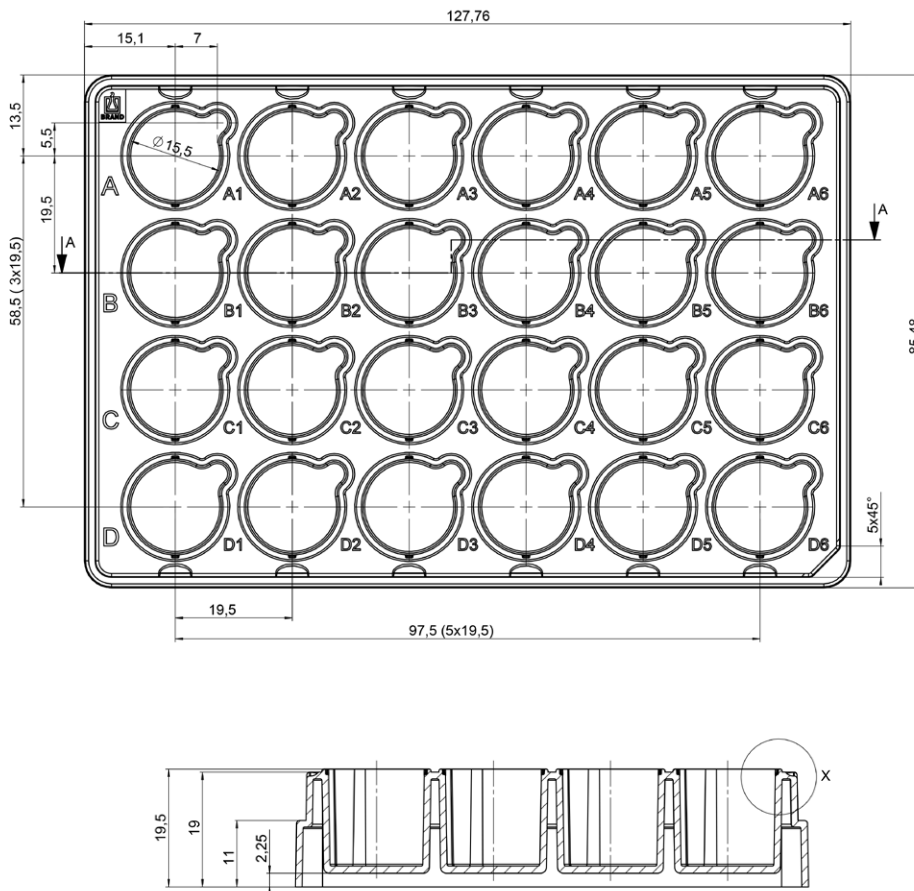


# BRANDplates® multi-well plates, for inserts, 24-well 782880



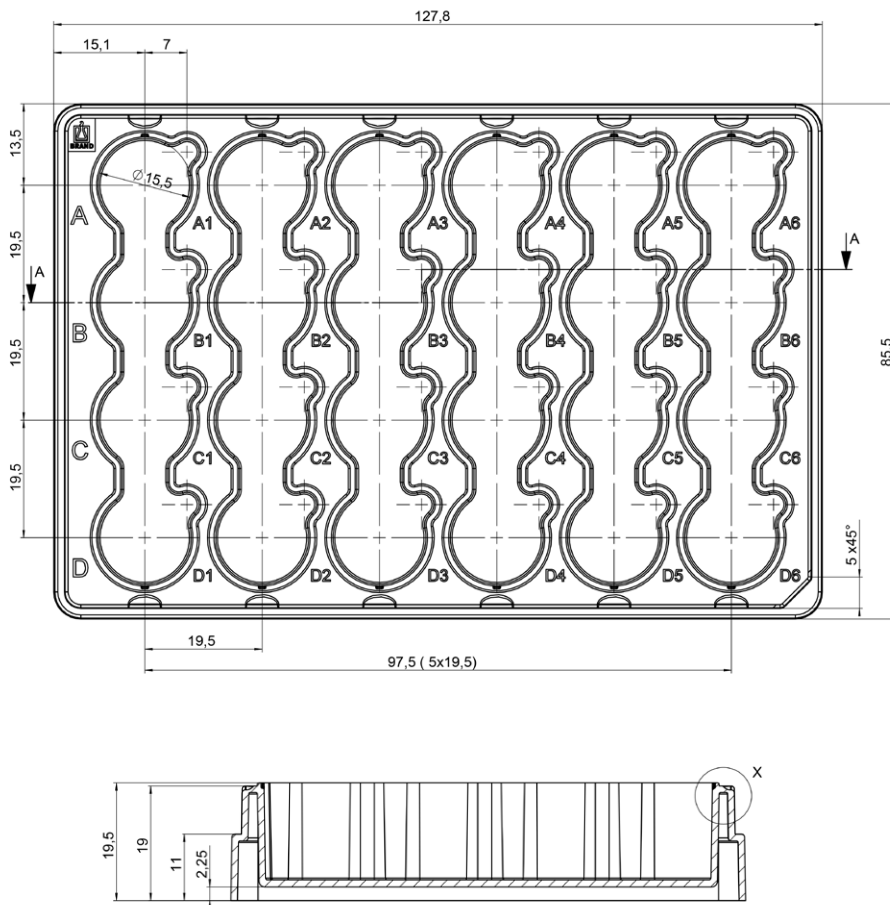
Type	standard
Surface	pureGrade™ S
Volume	1,5 - 2 ml / well
Material	PS
Color	transparent
Quality	Cleanroom class 8 according to ISO 14 644-1, Free of DNA*, RNase and DNase, Free of pyrogens, according to LAL test **, Sterile according to ISO 11 137, Free of cytotoxic substances acc. ISO 10 993-5



\* human and bacterial DNA, \*\* according to Limulus Amebocyte Lysate (LAL) test, detection limit 0.01 EU/ml

Subject to technical modification without notice. Errors excepted.

# BRANDplates® multi-well plates, for inserts, 6-well 782881



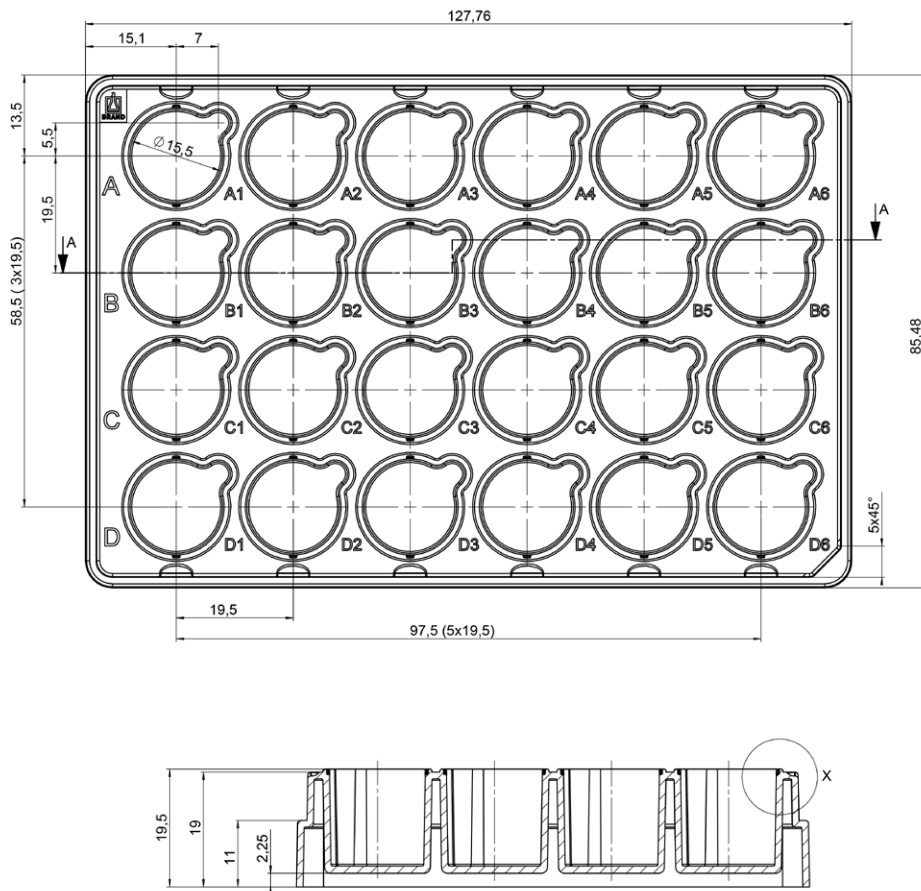
<b>Type</b>	standard
<b>Surface</b>	pureGrade™ S
<b>Volume</b>	8 - 10 ml / well
<b>Material</b>	PS
<b>Color</b>	transparent
<b>Quality</b>	Cleanroom class 8 according to ISO 14 644-1, Free of DNA*, RNase and DNase, Free of pyrogens, according to LAL test **, Sterile according to ISO 11 137, Free of cytotoxic substances acc. ISO 10 993-5



\* human and bacterial DNA, \*\* according to Limulus Amebocyte Lysate (LAL) test, detection limit 0.01 EU/ml

Subject to technical modification without notice. Errors excepted.

# BRANDplates® multi-well plates, for inserts, 24-well 782890



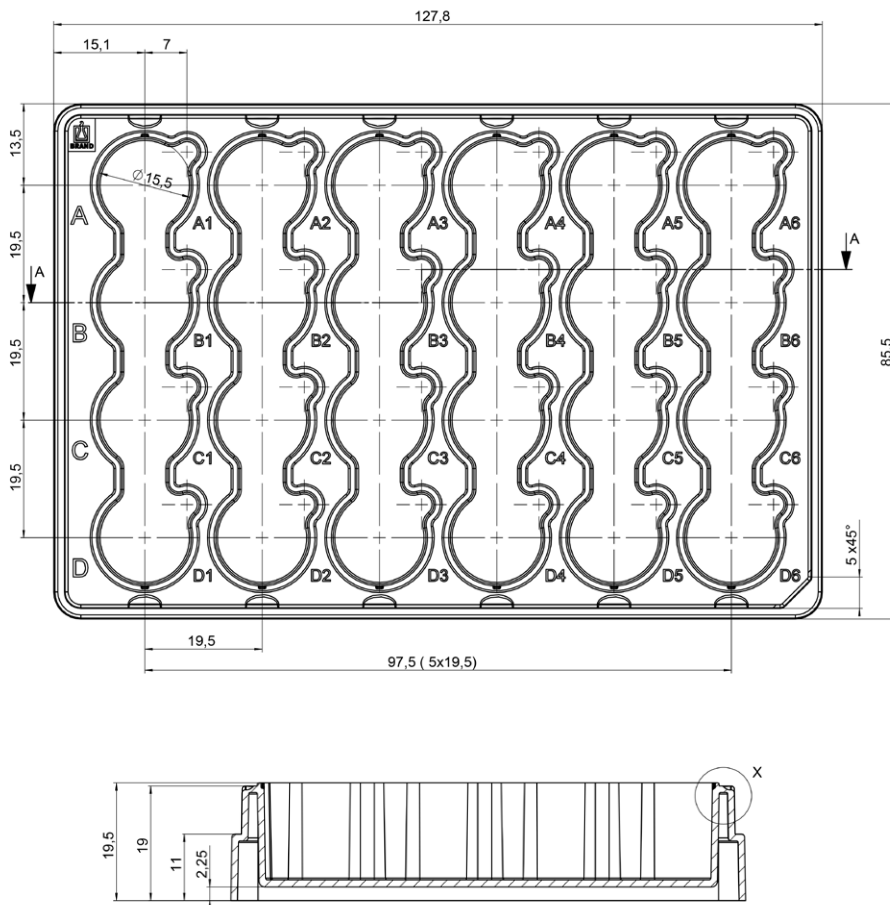
Type	standard
Surface	cellGrade™ plus
Volume	1,5 - 2 ml / well
Material	PS
Color	transparent
Quality	Cleanroom class 8 according to ISO 14 644-1, Free of DNA*, RNase and DNase, Free of pyrogens, according to LAL test **, Sterile according to ISO 11 137, Free of cytotoxic substances acc. ISO 10 993-5



\* human and bacterial DNA, \*\* according to Limulus Amebocyte Lysate (LAL) test, detection limit 0.01 EU/ml

Subject to technical modification without notice. Errors excepted.

# BRANDplates® multi-well plates, for inserts, 6-well 782891



<b>Type</b>	standard
<b>Surface</b>	cellGrade™ plus
<b>Volume</b>	8 - 10 ml / well
<b>Material</b>	PS
<b>Color</b>	transparent
<b>Quality</b>	Cleanroom class 8 according to ISO 14 644-1, Free of DNA*, RNase and DNase, Free of pyrogens, according to LAL test **, Sterile according to ISO 11 137, Free of cytotoxic substances acc. ISO 10 993-5



\* human and bacterial DNA, \*\* according to Limulus Amebocyte Lysate (LAL) test, detection limit 0.01 EU/ml

Subject to technical modification without notice. Errors excepted.