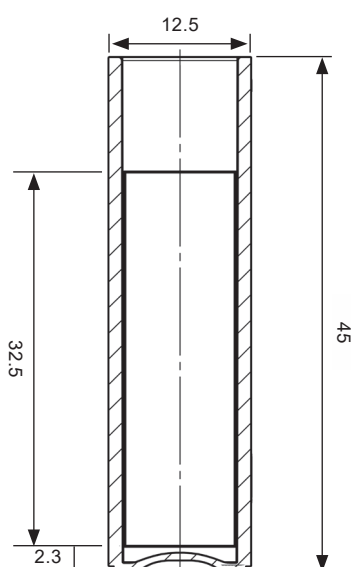


Cuvette, macro

759105 | 759080D | 759081D

PRODUCT
INFORMATION



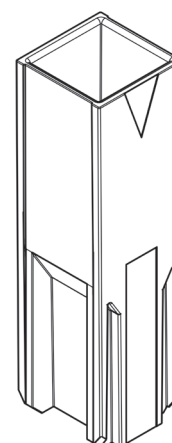
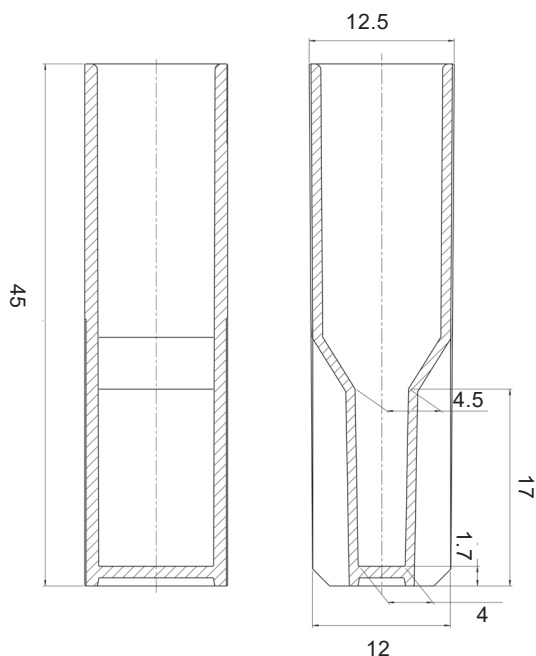
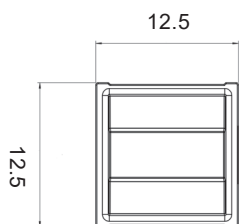
Dimensions in mm

Filling volume min.	2.5 ml
Light path	10 mm
Material	PMMA

Subject to technical modification without notice. Errors excepted.

Cuvette, semi-micro

759115 | 759085D | 759086D



Dimensions in mm

Filling volume min.	1.5 ml
Light path	10 mm
Material	PMMA

Subject to technical modification without notice. Errors excepted.