



BRAND GMBH + CO KG

705700/705730

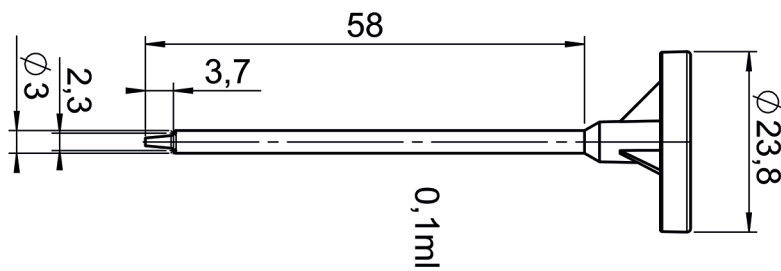
0.1 ml Precision dispenser tips PD-Tips //

Material: Cylinder: polypropylene, piston: LCP

Version: Non-sterile and BIO-CERT®

Volumen: 0.1 ml

Dimensions (in mm):





BRAND GMBH + CO KG

705702/705732

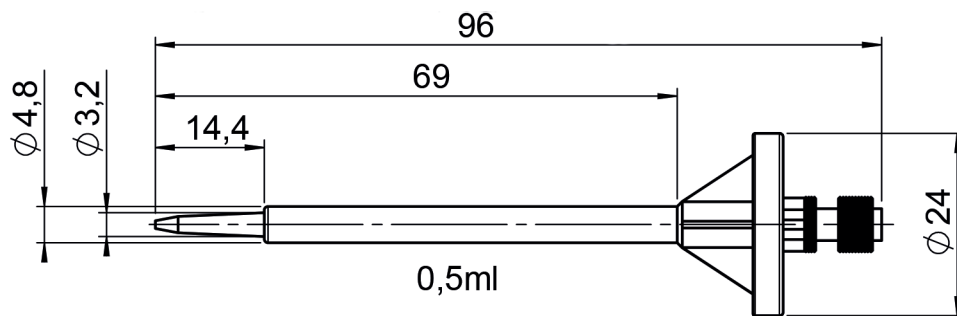
0.5 ml Precision dispenser tips PD-Tips //

Material: Cylinder: polypropylene, piston: PE-HD

Version: Non-sterile and BIO-CERT®

Volumen: 0.5 ml

Dimensions (in mm):





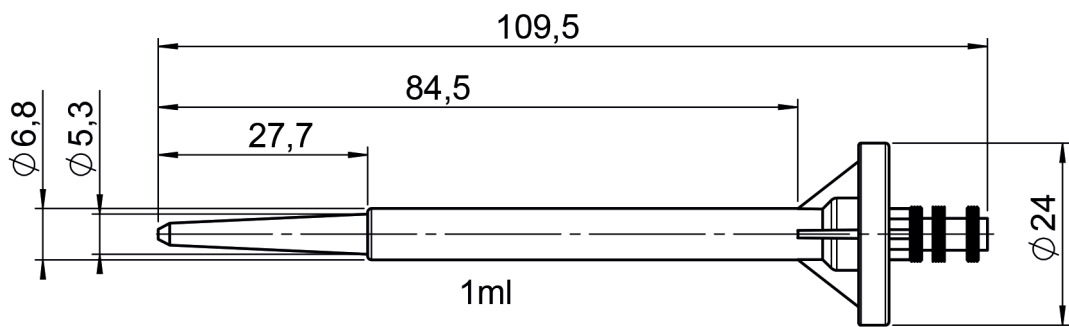
BRAND GMBH + CO KG

705704/705734

1 ml Precision dispenser tips PD-Tips //

Material:	Cylinder: polypropylene, piston: PE-HD
Version:	Non-sterile and BIO-CERT®
Volumen:	1 ml

Dimensions (in mm):





BRAND GMBH + CO KG

705706/705736

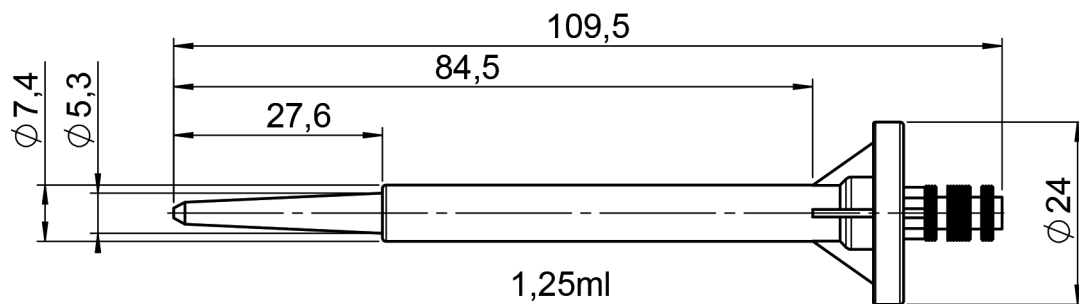
1.25 ml Precision dispenser tips PD-Tips //

Material: Cylinder: polypropylene, piston: PE-HD

Version: Non-sterile and BIO-CERT®

Volumen: 1.25 ml

Dimensions (in mm):





BRAND GMBH + CO KG

705708/705738

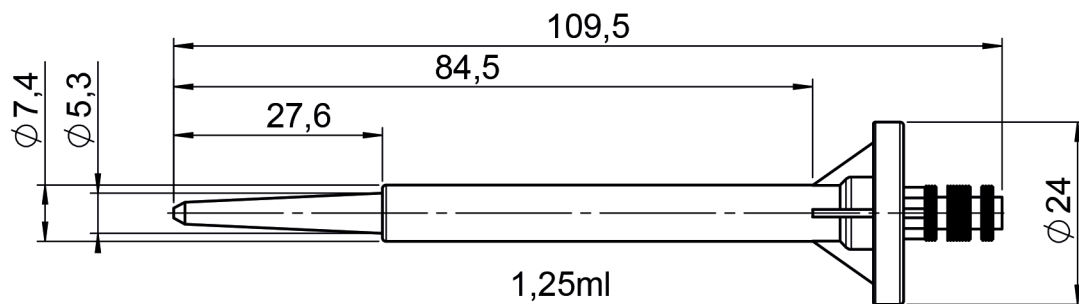
2.5 ml Precision dispenser tips PD-Tips //

Material: Cylinder: polypropylene, piston: PE-HD

Version: Non-sterile and BIO-CERT®

Volumen: 2.5 ml

Dimensions (in mm):





BRAND GMBH + CO KG

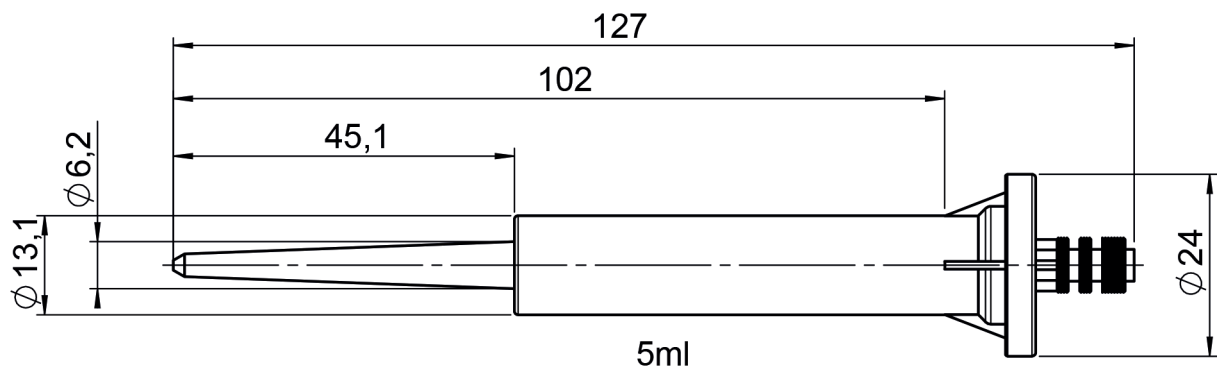
705710/705740
5 ml Precision dispenser tips PD-Tips //

Material: Cylinder: polypropylene, piston: PE-HD

Version: Non-sterile and BIO-CERT®

Volumen: 5 ml

Dimensions (in mm):





BRAND GMBH + CO KG

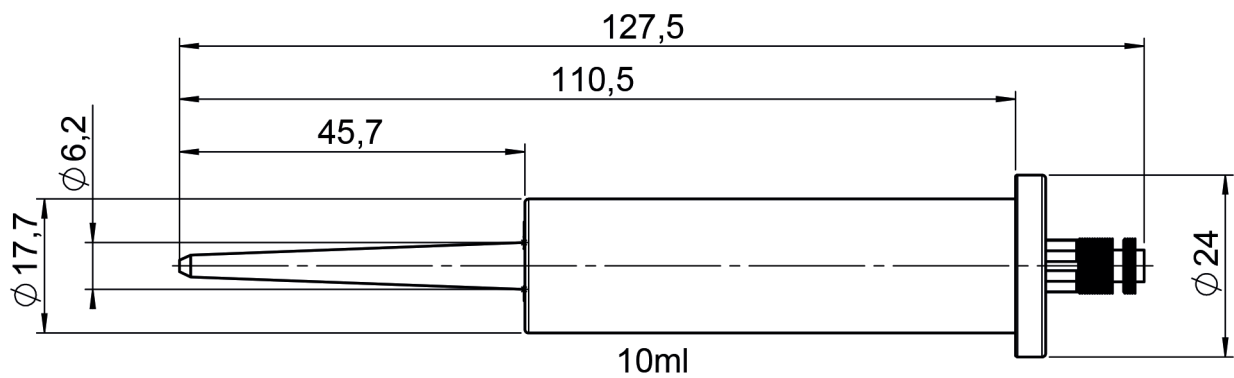
705712/705742
10 ml Precision dispenser tips PD-Tips //

Material: Cylinder: polypropylene, piston: PE-HD

Version: Non-sterile and BIO-CERT®

Volumen: 10 ml

Dimensions (in mm):





BRAND GMBH + CO KG

705714/705744

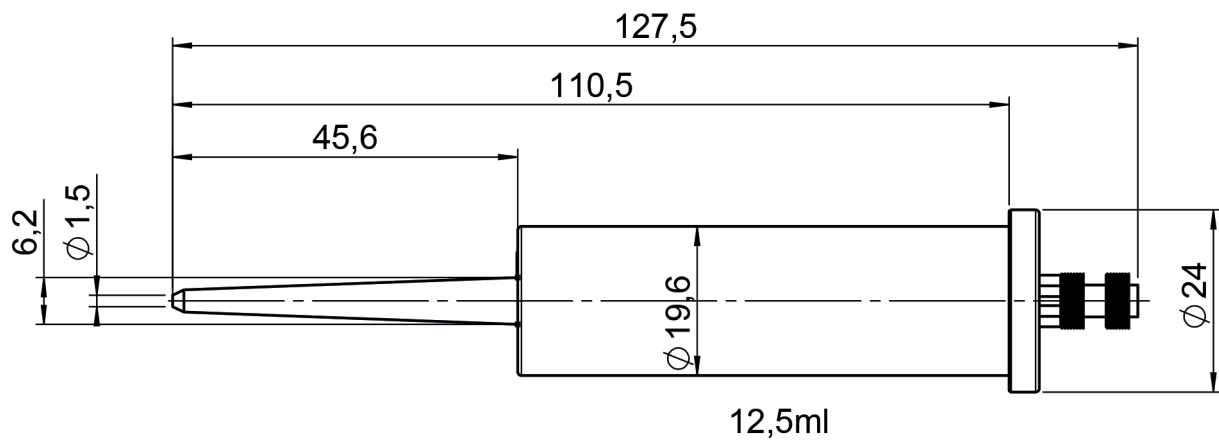
12,5 ml Precision dispenser tips PD-Tips //

Material: Cylinder: polypropylene, piston: PE-HD

Version: Non-sterile and BIO-CERT®

Volumen: 12.5 ml

Dimensions (in mm):





BRAND GMBH + CO KG

705716/705746

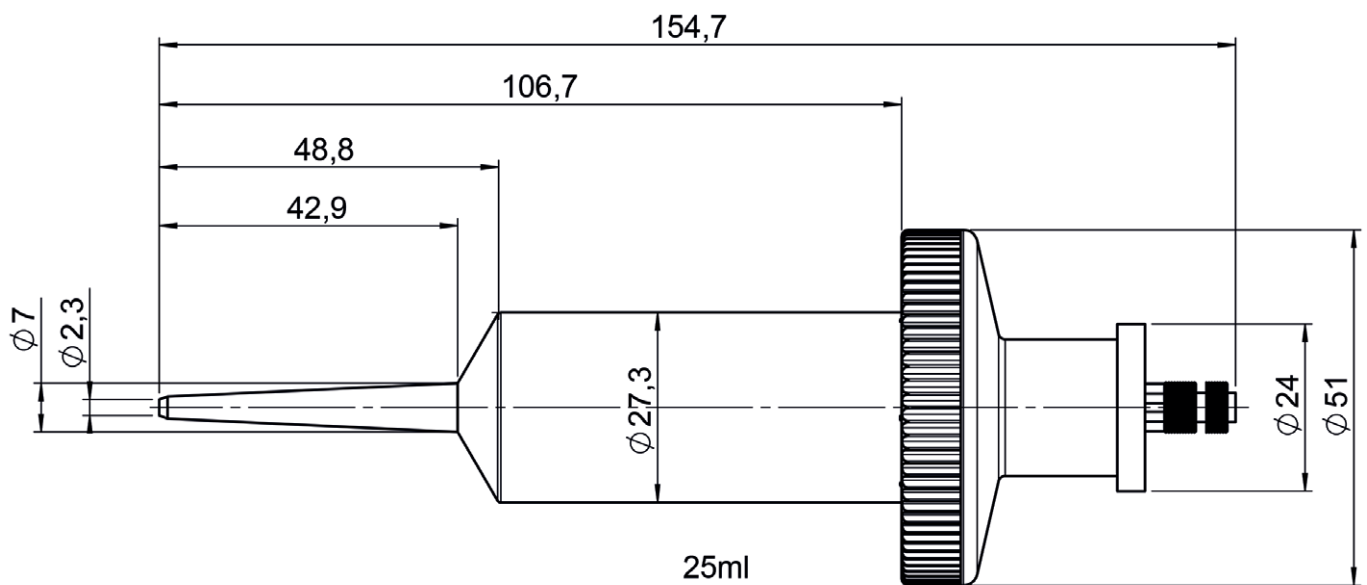
25 ml Precision dispenser tips PD-Tips //

Material: Cylinder: polypropylene, piston: PE-HD

Version: Non-sterile and BIO-CERT®

Volumen: 25 ml

Dimensions (in mm):





BRAND GMBH + CO KG

705718/705748

50 ml Precision dispenser tips PD-Tips //

Material: Cylinder: polypropylene, piston: PE-HD

Version: Non-sterile and BIO-CERT®

Volumen: 50 ml

Dimensions (in mm):

