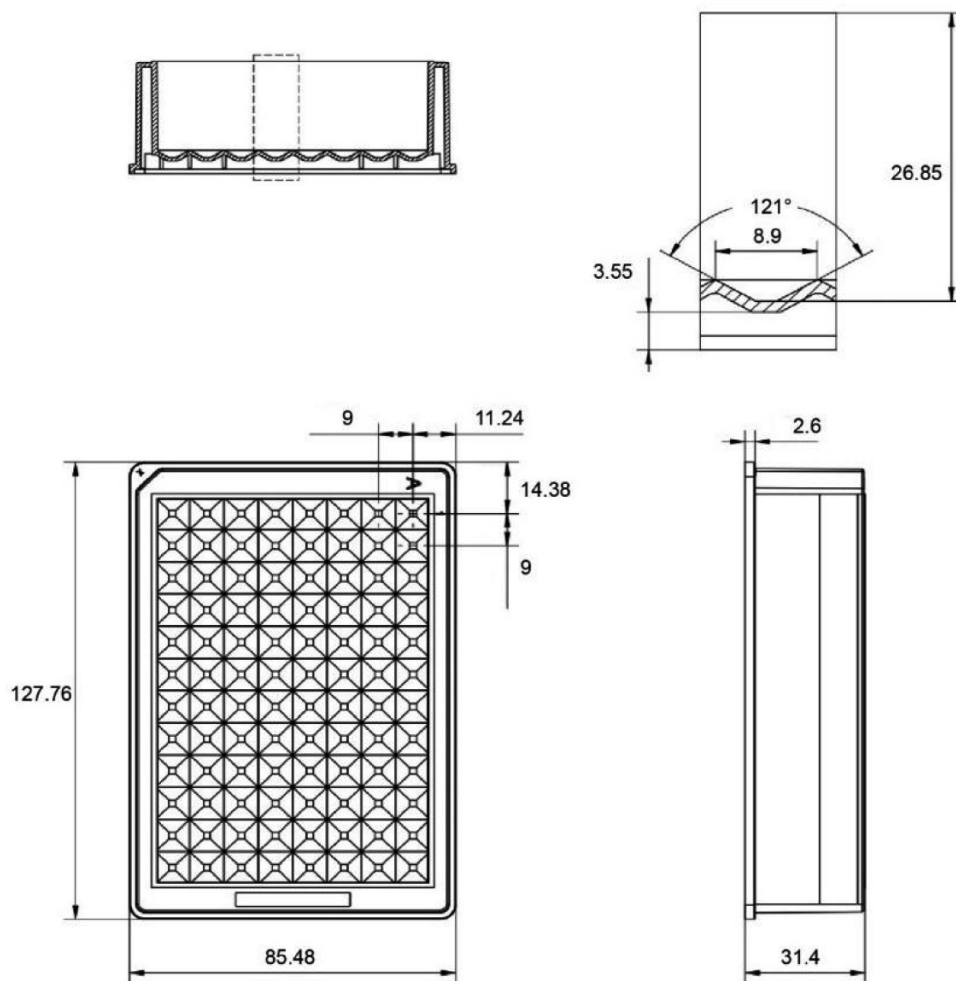


# Reagent reservoirs

## 1 column

### 701440


 PRODUCT  
INFORMATION


Dimensions in mm

|                       |                           |
|-----------------------|---------------------------|
| <b>Description</b>    | 1 column                  |
| <b>Working volume</b> | 150 ml                    |
| <b>Bottom style</b>   | pyramidal bottom, 96 well |
| <b>Material</b>       | PP                        |
| <b>Color</b>          | transparent               |
| <b>Weight</b>         | ~ 39 g                    |

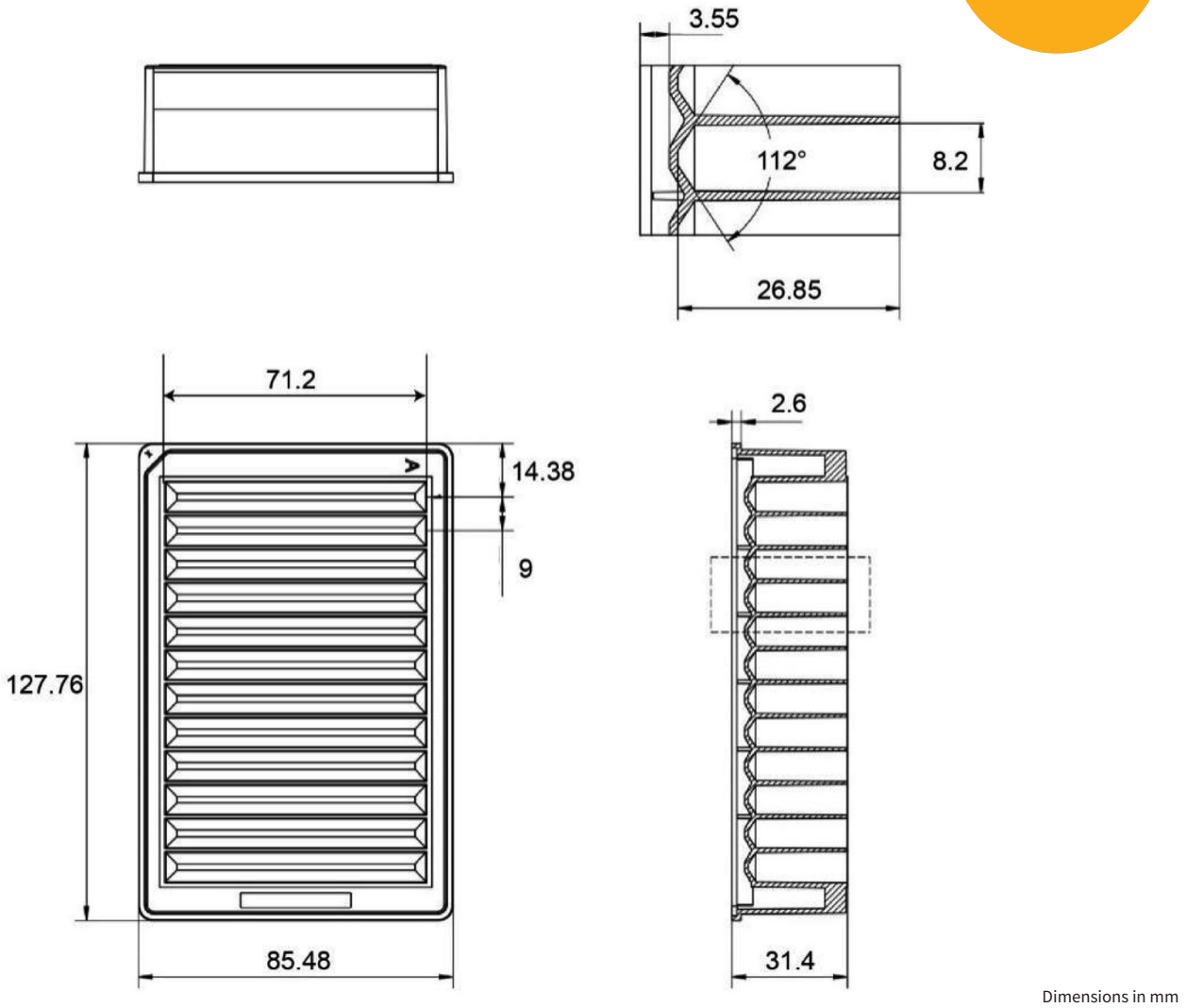
Subject to technical modification without notice. Errors excepted.

# Reagent reservoirs

## 12 columns, pyramidal bottom

### 701442

PRODUCT  
INFORMATION



Dimensions in mm

|                       |                  |
|-----------------------|------------------|
| <b>Description</b>    | 12 columns       |
| <b>Working volume</b> | 12 ml / well     |
| <b>Bottom style</b>   | pyramidal bottom |
| <b>Material</b>       | PP               |
| <b>Color</b>          | transparent      |
| <b>Weight</b>         | ~ 55 g           |

Subject to technical modification without notice. Errors excepted.